

Main Feature

1. Smaller size with 16A switching capacity is designed for high density P.C. Board mounting technique.
2. 8mm Cree page distance. Surge Resistance of 10,000V and Dielectric Strength of 5,000V are available.
3. High Sensitivity DC Coil Type of low power consumption is available.
4. 1/3 Horse Power at 250VAC of GZ Series is certified by UL.
5. TV-8 at 120VAC rating of GZT Model is approved by UL.
6. SPST (1a) is available for Relay GZT model. Both of SPST & SPDT are available for Relay GZ Series.

Application

Cooking Appliances, Air Conditioner, Audio Equipment, Domestic Appliances, Controlling Equivalent, etc.

Contact Rating

- Nominal Load (Resistive Load $\cos \varphi = 1$)
Contact Capacity:
GZ Rating 16A at 250VAC.
16A at 30VDC
20A at 120VAC.
20A at 24VDC.
GZT Rating TV-8 at 120VAC.
Rated Carrying Current GZ: 16A & GZT: 8A.
Max. Allowable Current GZ: 16A & GZT: 8A.
Max. Allowable Voltage AC 240V, DC 110V.
Max. Allowable Power Force. GZ: 3,800 VA, 600W.
GZT: 1,600VA, 400W.
Min. Switching Load DC 10V, 10mA.
- Contact Material Ag Alloy.
- Contact Form GZ :SPST & SPDT.
GZT : SPST

Performance (at Initial Value)

- Contact Resistance 100m Ω Max. @1A, 6VDC
- Operate Time 15 mSec. Max. (D Type)
20 mSec. Max. (L Type)
- Release Time 8 mSec. Max.
- Dielectric Strength :
Between Coil & Contact 5,000VAC at 50/60 Hz
for one minute.
Between Contacts 1,000VAC at 50/60 Hz
for one minute.
- Surge Resistance 10,000V (between Coil
& Contact 1.2x50 μ Sec.)
- Insulation Resistance 100 Mega Ω Min. at

- 500VDC
- Max. On/Off Switching :
Electrical 30 Ops per Minute.
Mechanical 300 Ops per Minute.
- Temperature Range -30~55 $^{\circ}$ C
- Humidity Range 45~85% RH.
- Coil Temperature Rise 45 $^{\circ}$ C Max. (D Type)
35 $^{\circ}$ C Max. (L Type)
- Vibration :
Endurance 10 to 55 Hz dual
amplitude width 1.5mm.
Error Operation 10 to 55 Hz dual
amplitude width 1.5mm.
- Shock :
Endurance 1,000 m/S 2 Min.
Error Operation 100 m/S 2 Min.
- Life Expectancy :
Mechanical 10 7 Operations at No
Load condition.
Electrical 10 5 Operations at
Rated Resistive Load.
2.5x10 4 Operations at
TV Rated Load.
- Weight About 13 g.

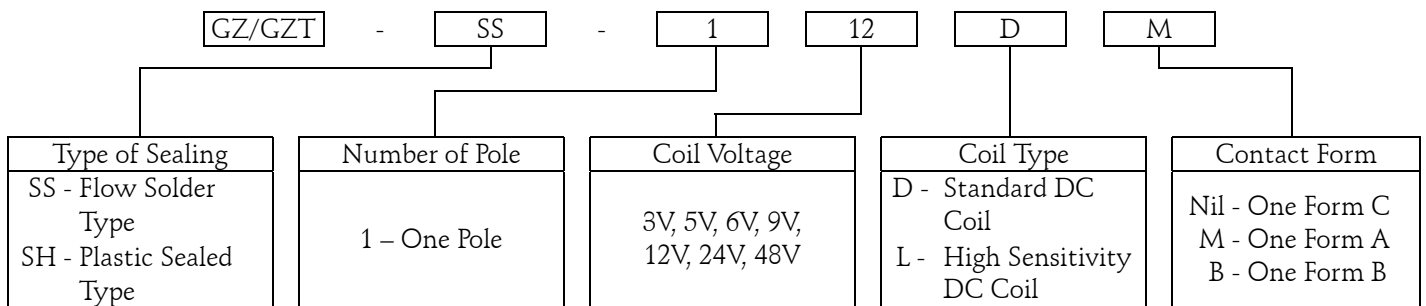
Safety Standard & Its File Number

- UL E141060
- CSA LR76598
- TÜV R9854192

Coil Specification (at 20°C)

Coil Sensitivity	Nominal Voltage (VDC)	Nominal Current (mA)	Coil Resistance ($\Omega \pm 10\%$)	Power Consumption (W)	Pull-In Voltage (VDC)	Drop-Out Voltage (VDC)	Maximum Allowable Voltage (VDC)
GZ/GZT D/DM	3	240	12.5	Abt. 0.72	80% Maximum	5% Minimum	130%
	5	138.9	36				
	6	120	50				
	9	78.3	115				
	12	60	200				
	48	14.5	3,300				
GZ/GZT L/LM	3	176.5	17	Abt. 0.54	80% Maximum	5% Minimum	130%
	5	106.4	50				
	6	88	68				
	9	58	155				
	12	44.4	270				
	48	10.9	4,400				

Ordering Information:



Dimension:

GZ/GZT-SS/SH

