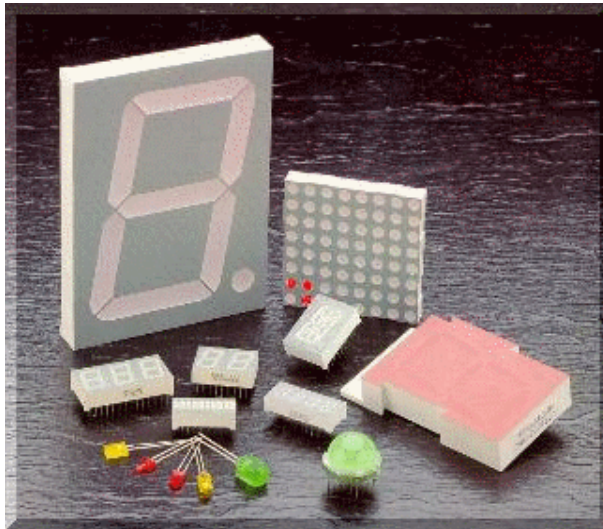


LED DISPLAY PRODUCTS



U.S. Electronics offers a wide range of High Quality/ Low Cost LED's and Displays to meet your indoor and/or outdoor needs.

1. [Single digit seven segment displays](#)
2. [Dual digit seven segment displays](#)
3. [Triple digit seven segment displays](#)
4. [Dual digit fourteen segment display](#)
5. [Dot Matrix displays](#)
6. [Light Bars and Graph Bar displays](#)

LED DISPLAYS

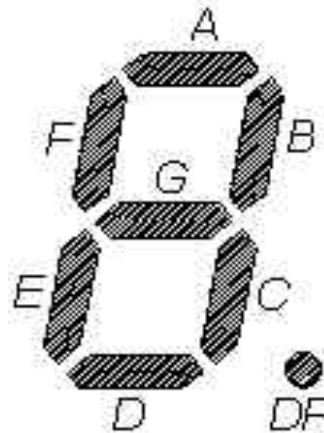
U.S.Electronics Inc.

Ph:(314)423 7550

Fax:(314)423 0585

Single Digit Seven Segment Displays

- [0.31" \(7.62 mm\) Digit height](#)
- [0.36" \(9.10 mm\) Digit height](#)
- [0.39" \(10.00 mm\) Digit height](#)
- [0.56" \(14.20 mm\) Digit height](#)
- [0.56" \(14.20 mm\) Digit height \(H.P.Font\)](#)
- [1.00" \(25.40 mm\) Digit height](#)
- [1.80" \(44.80 mm\) Digit height](#)
- [2.30" \(56.80 mm\) Digit height](#)
- [7.00" \(178.00 mm\) Digit height](#)



This is just a sampling of various sizes available. Please contact us if the size you need is not in this table.

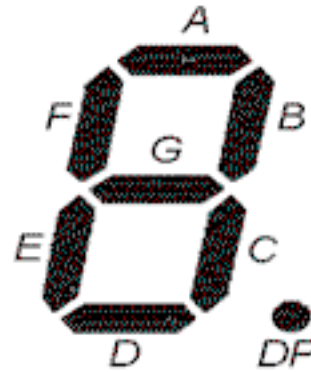
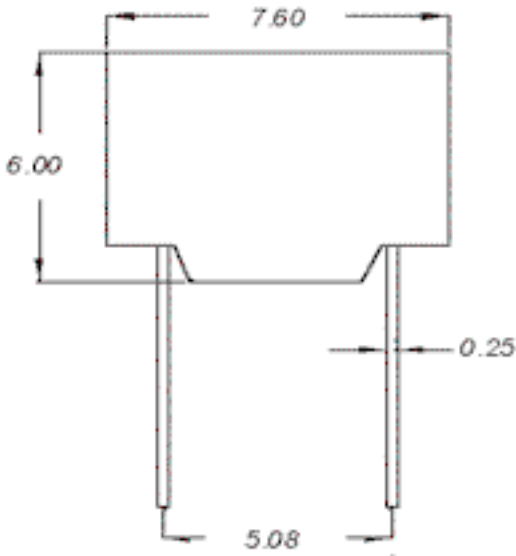
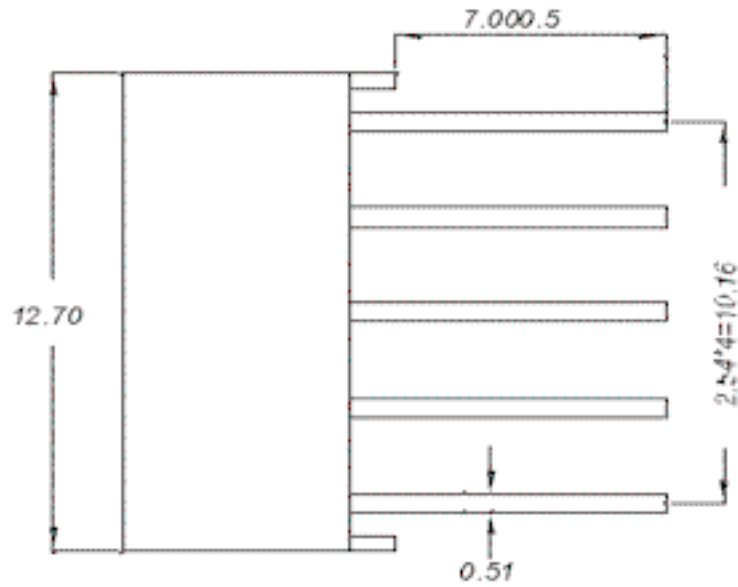
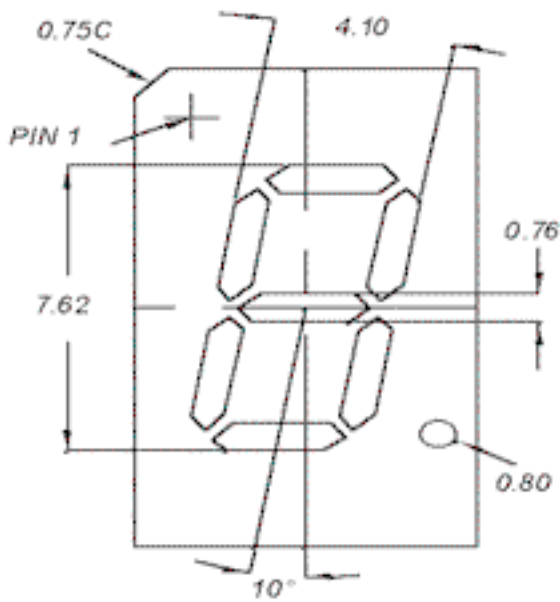
LED DISPLAYS

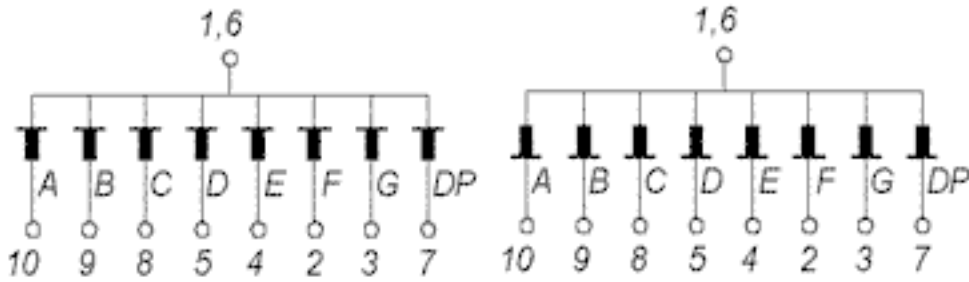
U.S.Electronics Inc.

Ph:(314)423 7550

CM1 - 031XX00

Fax:(314)423 0585





1 COMMON CATHODE
 2 ANODE F
 3 ANODE G
 4 ANODE E
 5 ANODE D
 6 COMMON CATHODE
 7 ANODE DP
 8 ANODE C
 9 ANODE B
 10 ANODE A

1 COMMON ANODE
 2 CATHODE F
 3 CATHODE G
 4 CATHODE E
 5 CATHODE D
 6 COMMON ANODE
 7 CATHODE DP
 8 CATHODE C
 9 CATHODE B
 10 CATHODE A

| Part Numbers | | Emitting Color | IF=20mA Min. ~ Typ. |
|----------------|---------------|----------------|---------------------|
| COMMON CATHODE | COMMON ANODE | | |
| CM1 - 0311200 | CM1 - 0312200 | Green | 0.80 - 2.00 |
| CM1 - 0311300 | CM1 - 0312300 | Orange | 0.80 - 2.20 |
| CM1 - 0311400 | CM1 - 0312400 | Gap-Red | 0.32 - 0.75 |
| CM1 - 0311500 | CM1 - 0312500 | Hi-Effi | 0.80 - 2.20 |
| CM1 - 0311600 | CM1 - 0312600 | Yellow | 0.80 - 1.08 |
| CM1 - 0311L00 | CM1 - 0312L00 | GaAlAs Red | 2.20 - 5.50 |
| CM1 - 0311G00 | CM1 - 0312G00 | SB/Green | 1.60 - 4.00 |

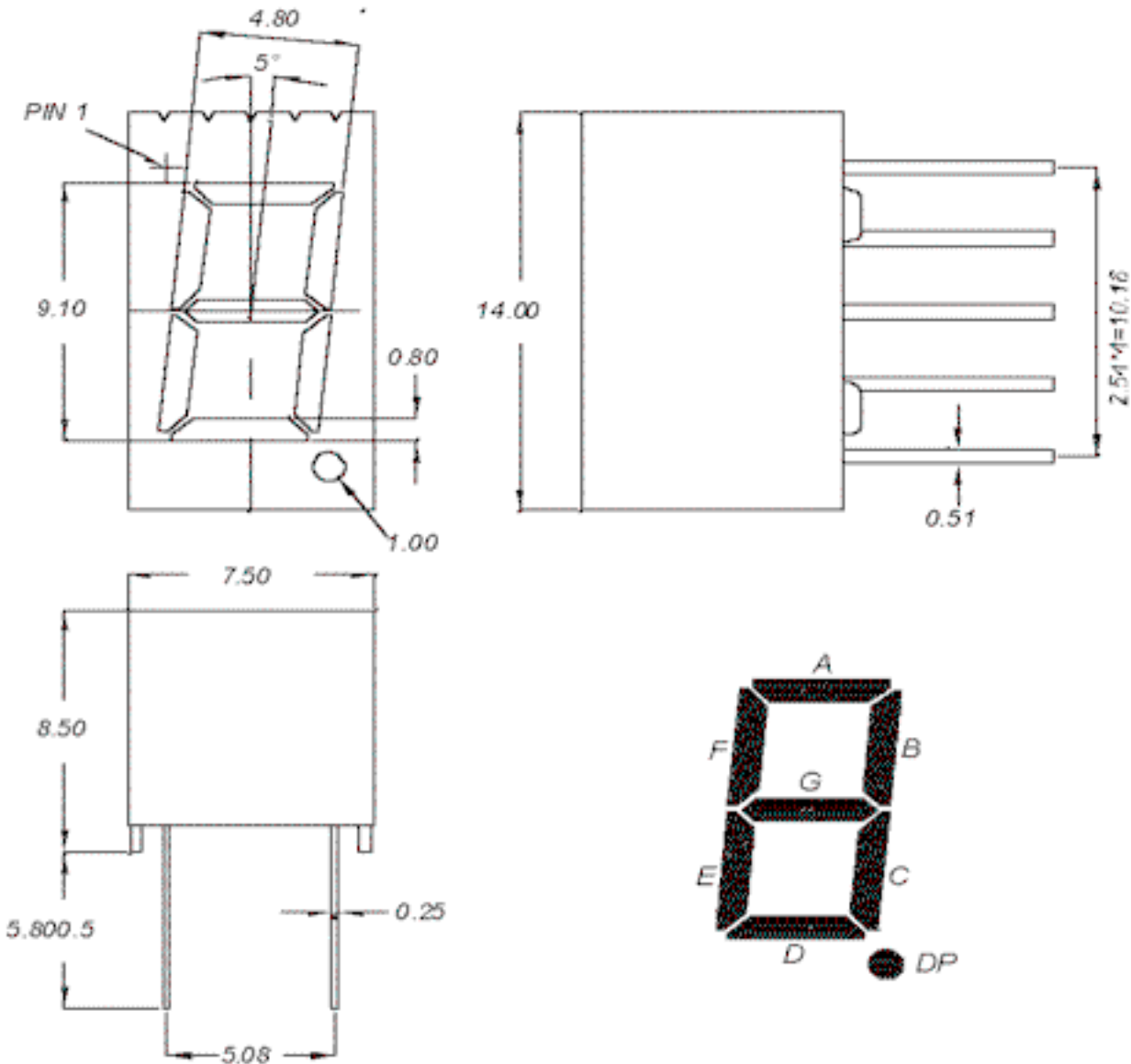
LED DISPLAYS

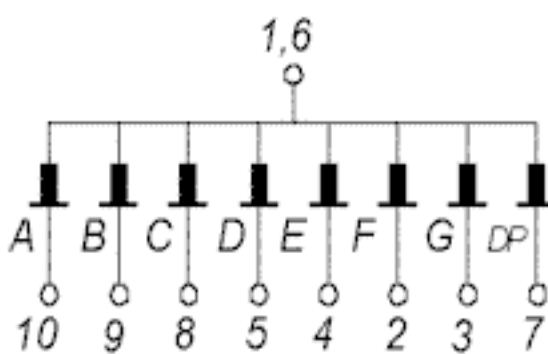
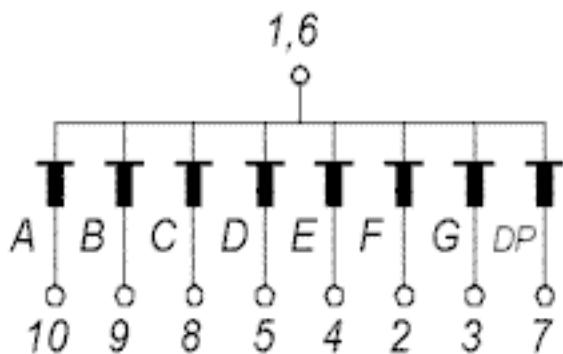
U.S.Electronics Inc.

Ph:(314)423 7550

CM1 - 036XX00

Fax:(314)423 0585





- 1 COMMON CATHODE
- 2 ANODE F
- 3 ANODE G
- 4 ANODE E
- 5 ANODE D
- 6 COMMON CATHODE
- 7 ANODE DP
- 8 ANODE C
- 9 ANODE B
- 10 ANODE A

- 1 COMMON ANODE
- 2 CATHODE F
- 3 CATHODE G
- 4 CATHODE E
- 5 CATHODE D
- 6 COMMON ANODE
- 7 CATHODE DP
- 8 CATHODE C
- 9 CATHODE B
- 10 CATHODE A

| Part Numbers | | Emitting Color | IF=20mA Min. ~ Typ. |
|----------------|---------------|----------------|---------------------|
| Common Cathode | Common Anode | | |
| CM1 - 0361200 | CM1 - 0362200 | Green | 0.80 - 2.30 |
| CM1 - 0361300 | CM1 - 0362300 | Orange | 0.80 - 2.40 |
| CM1 - 0361400 | CM1 - 0362400 | Gap-Red | 0.32 - 0.75 |
| CM1 - 0361500 | CM1 - 0362500 | Hi-Effi | 0.80 - 2.40 |
| CM1 - 0361600 | CM1 - 0362600 | Yellow | 0.80 - 2.20 |
| CM1 - 0361L00 | CM1 - 0362L00 | GaAlAs Red | 2.40 - 6.00 |
| CM1 - 0361G00 | CM1 - 0362G00 | SB/Green | 1.80 - 4.60 |

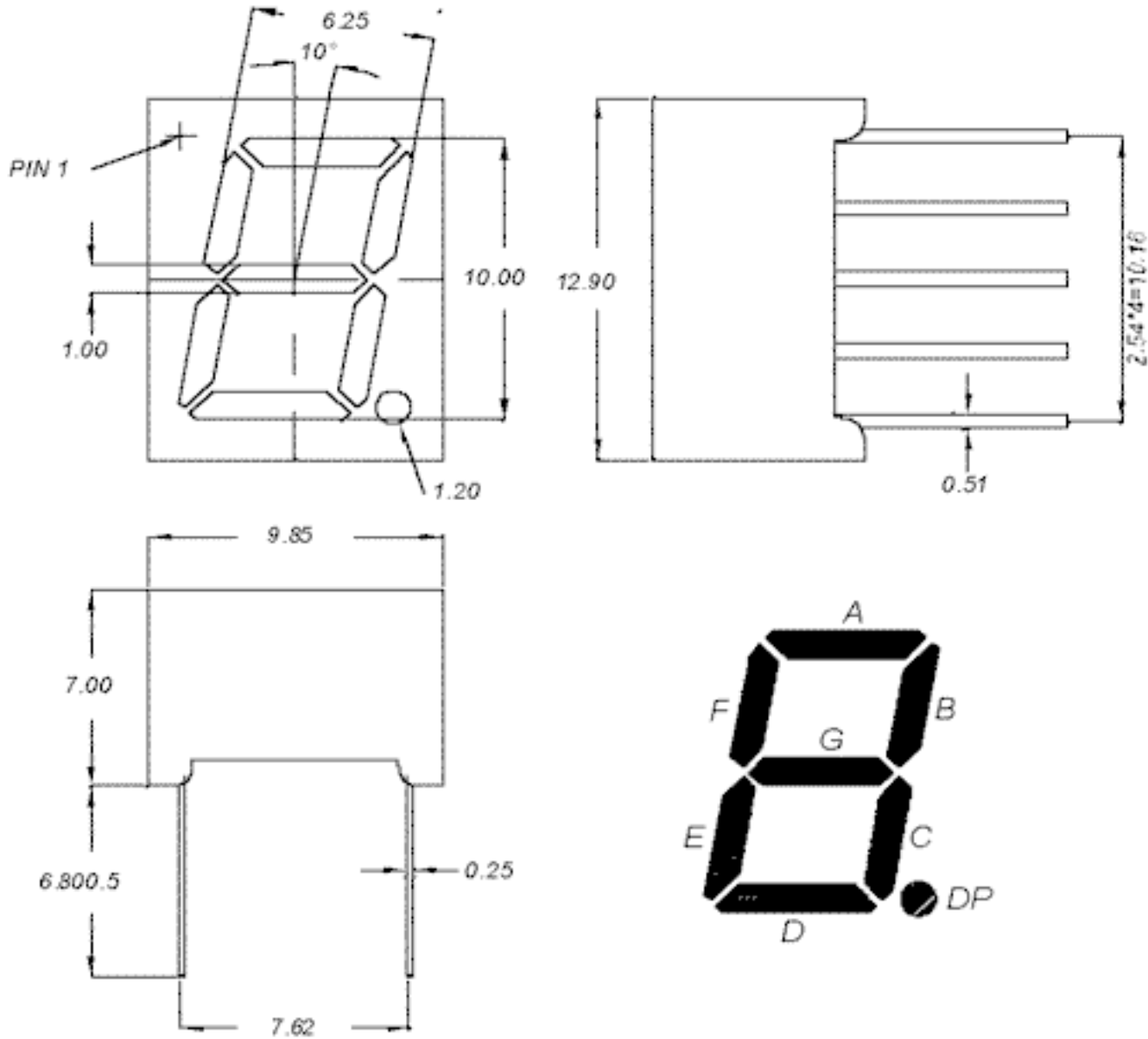
LED DISPLAYS

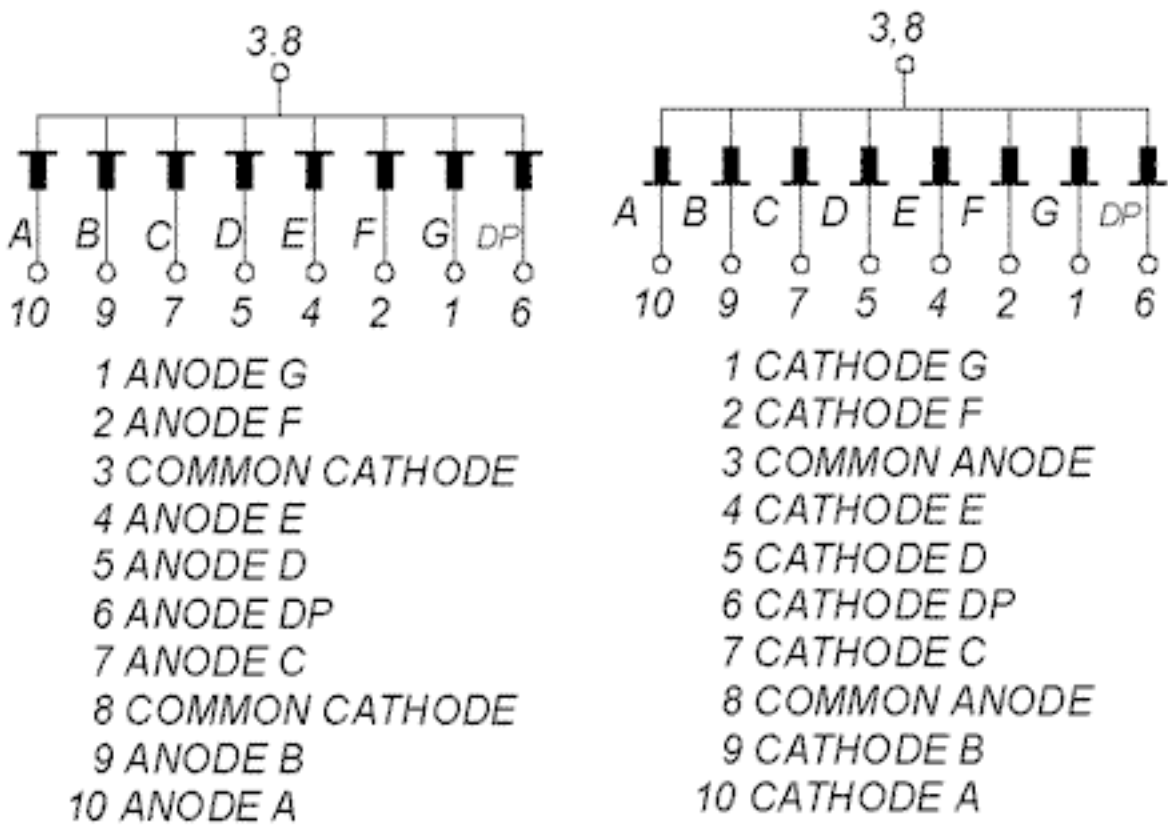
U.S.Electronics Inc.

Ph:(314)423 7550

CM1 - 039XX00

Fax:(314)423 0585





| Part Numbers | | Emitting Color | IF=20mA Min. ~ Typ. |
|----------------|---------------|----------------|---------------------|
| COMMON CATHODE | COMMON ANODE | | |
| CM1 - 0391200 | CM1 - 0392200 | Green | 0.80 - 2.30 |
| CM1 - 0391300 | CM1 - 0392300 | Orange | 0.80 - 2.40 |
| CM1 - 0391400 | CM1 - 0392400 | Gap-Red | 0.30 - 0.65 |
| CM1 - 0391500 | CM1 - 0392500 | Hi-Effi | 0.80 - 2.40 |
| CM1 - 0391600 | CM1 - 0392600 | Yellow | 0.80 - 2.20 |
| CM1 - 0391L00 | CM1 - 0392L00 | GaAlAs Red | 2.40 - 6.00 |
| CM1 - 0391G00 | CM1 - 0392G00 | SB/Green | 1.80 - 4.60 |

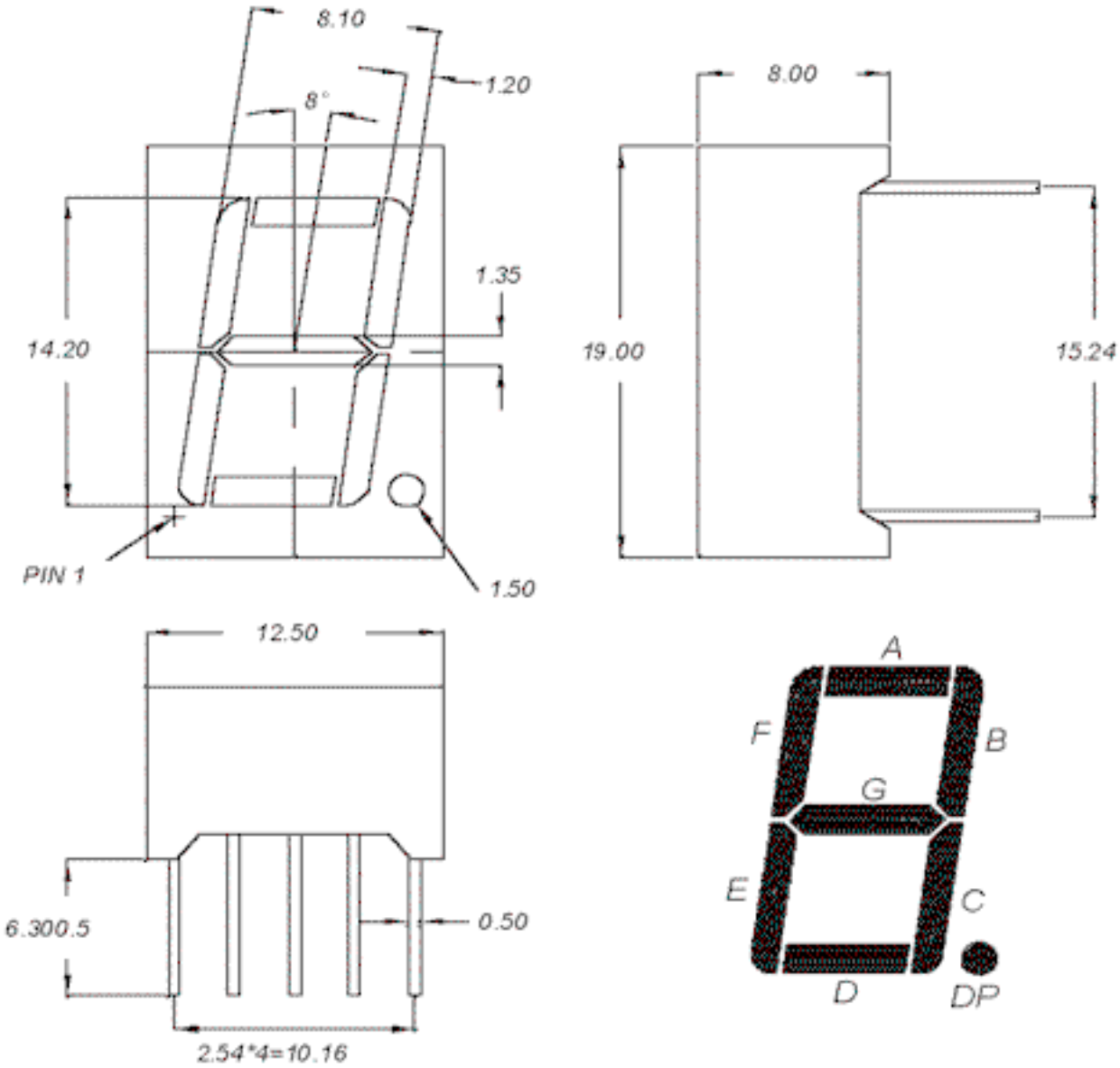
LED DISPLAYS

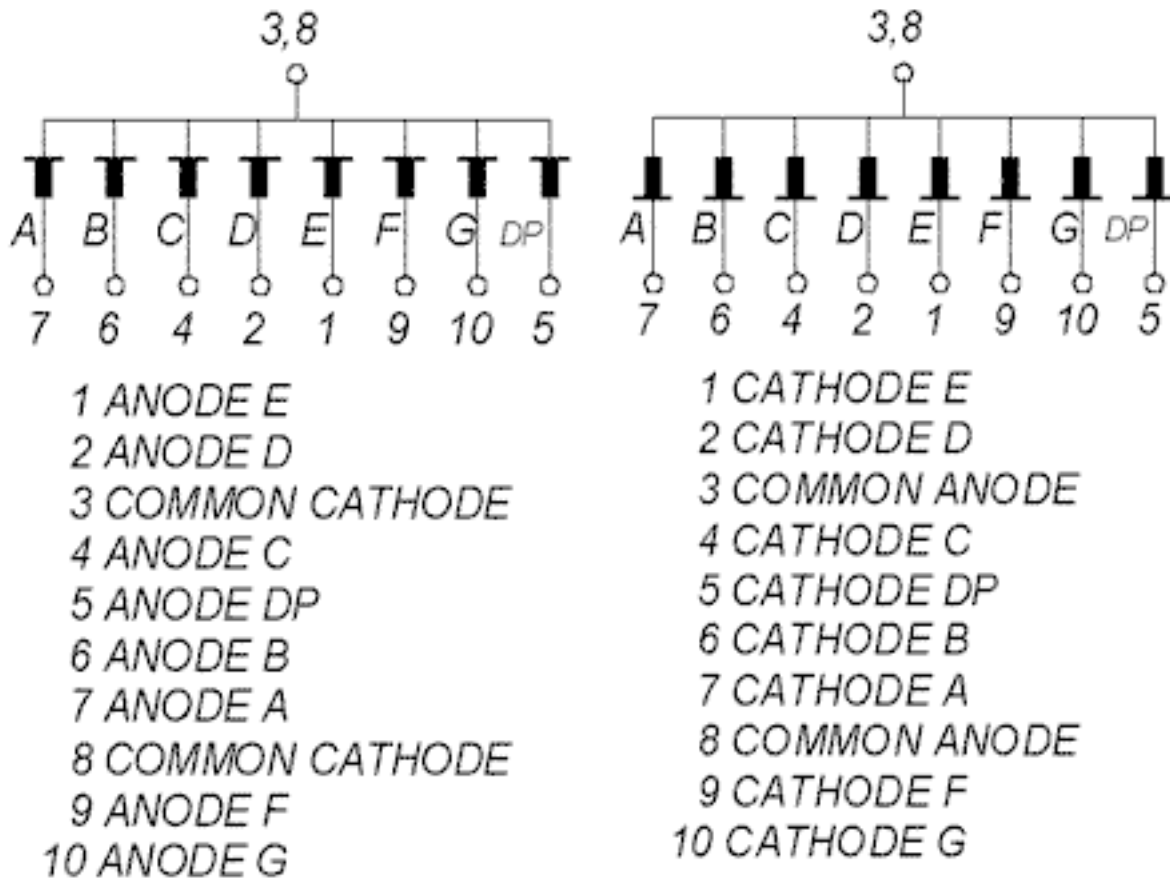
U.S.Electronics Inc.

Ph:(314)423 7550

CM1 - 056XX00

Fax:(314)423 0585





| Part Numbers | | Emitting Color | IF=20mA Min. ~ Typ. |
|----------------|---------------|----------------|---------------------|
| COMMON CATHODE | COMMON ANODE | | |
| CM1 - 0561200 | CM1 - 0562200 | Green | 0.87 - 2.40 |
| CM1 - 0561300 | CM1 - 0562300 | Orange | 0.87 - 2.40 |
| CM1 - 0561400 | CM1 - 0562400 | Gap-Red | 0.34 - 0.95 |
| CM1 - 0561500 | CM1 - 0562500 | Hi-Effi | 0.87 - 2.40 |
| CM1 - 0561600 | CM1 - 0562600 | Yellow | 0.87 - 2.40 |
| CM1 - 0561L00 | CM1 - 0562L00 | GaAlAs Red | 2.40 - 6.00 |
| CM1 - 0561G00 | CM1 - 0562G00 | SB/Green | 1.70 - 4.80 |

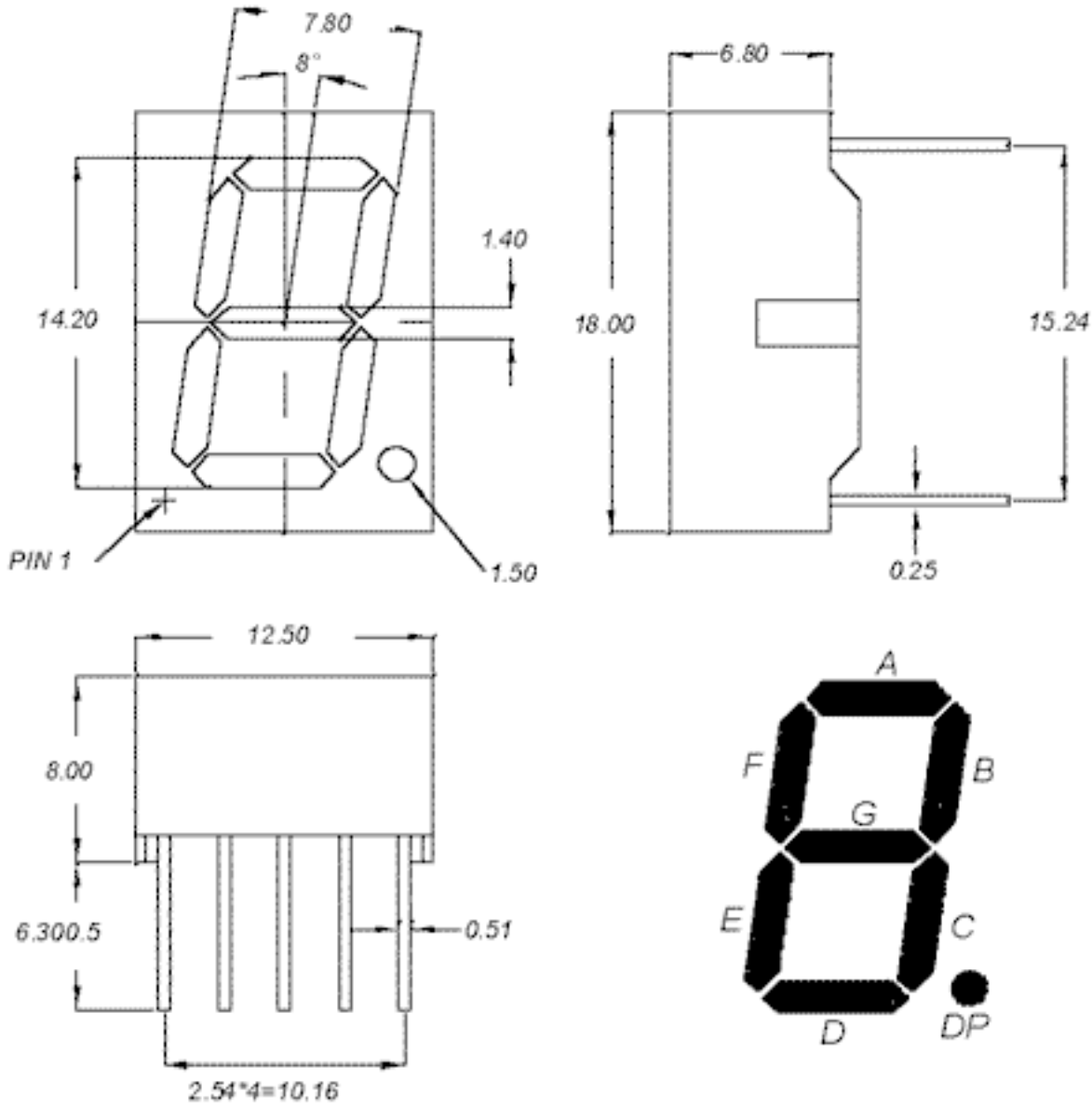
LED DISPLAYS

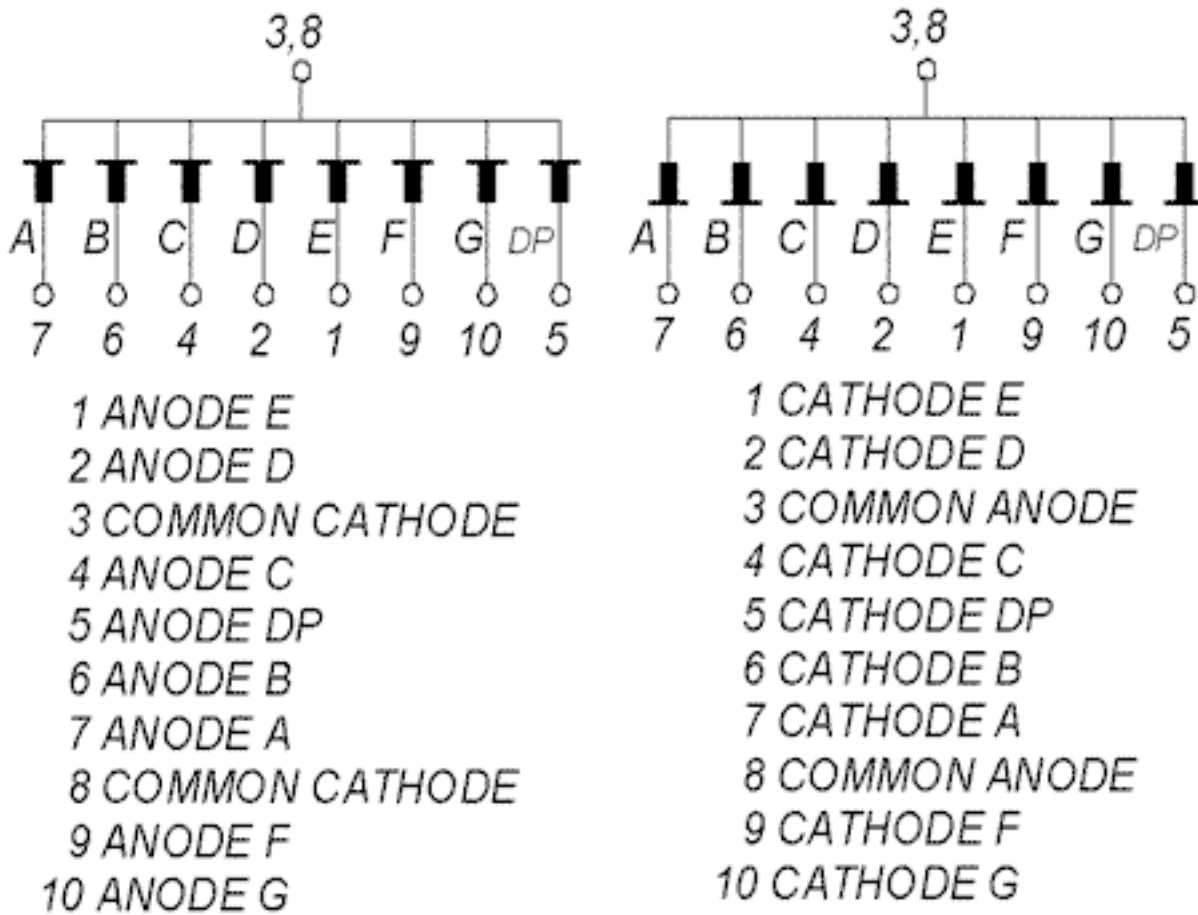
U.S.Electronics Inc.

Ph:(314)423 7550

CM1 - 056XX0S

Fax:(314)423 0585





| Part Numbers | | Emitting Color | IF=20mA Min. ~ Typ. |
|----------------|---------------|----------------|---------------------|
| COMMON CATHODE | COMMON ANODE | | |
| CM1 - 056120S | CM1 - 056220S | Green | 0.87 - 2.40 |
| CM1 - 056130S | CM1 - 056230S | Orange | 0.87 - 2.40 |
| CM1 - 056140S | CM1 - 056240S | Gap-Red | 0.34 - 0.95 |
| CM1 - 056150S | CM1 - 056250S | Hi-Effi | 0.87 - 2.40 |
| CM1 - 056160S | CM1 - 056260S | Yellow | 0.87 - 2.40 |
| CM1 - 0561L0S | CM1 - 0562L0S | GaAlAs Red | 2.40 - 6.00 |
| CM1 - 0561G0S | CM1 - 0562G0S | SB/Green | 1.70 - 4.80 |

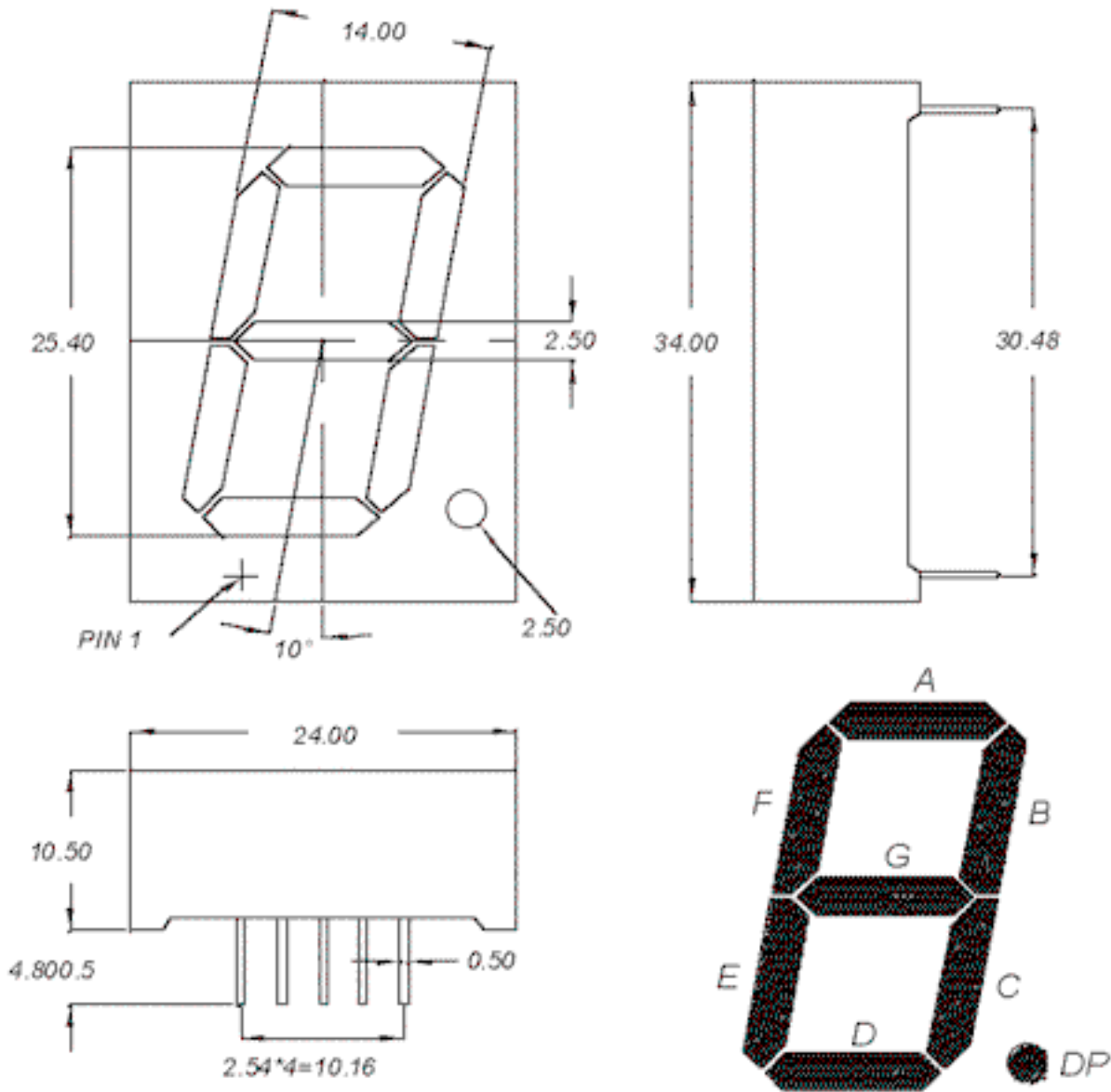
LED DISPLAYS

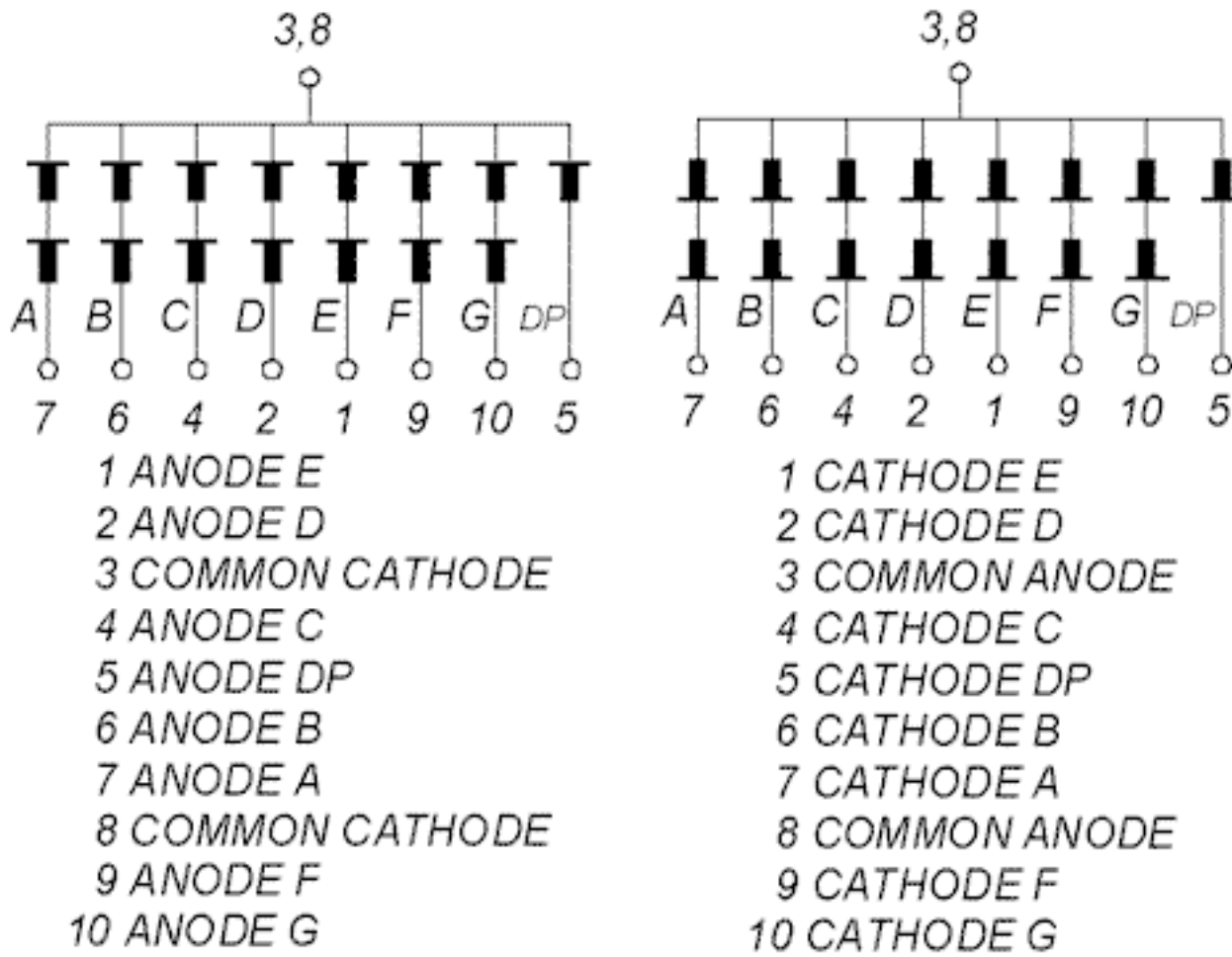
U.S.Electronics Inc.

Ph:(314)423 7550

CM1 - 100XX00

Fax:(314)423 0585





| Part Numbers | | Emitting Color | IF=20mA Min. ~ Typ. |
|----------------|---------------|----------------|---------------------|
| COMMON CATHODE | COMMON ANODE | | |
| CM1 - 1001200 | CM1 - 1002200 | Green | 1.30 - 3.30 |
| CM1 - 1001300 | CM1 - 1002300 | Orange | 1.40 - 3.60 |
| CM1 - 1001400 | CM1 - 1002400 | Gap-Red | 0.68 - 1.70 |
| CM1 - 1001500 | CM1 - 1002500 | Hi-Effi | 1.40 - 3.60 |
| CM1 - 1001600 | CM1 - 1002600 | Yellow | 1.30 - 3.20 |
| CM1 - 1001L00 | CM1 - 1002L00 | GaAlAs Red | 3.60 - 9.00 |
| CM1 - 1001G00 | CM1 - 1002G00 | SB/Green | 2.60 - 6.60 |

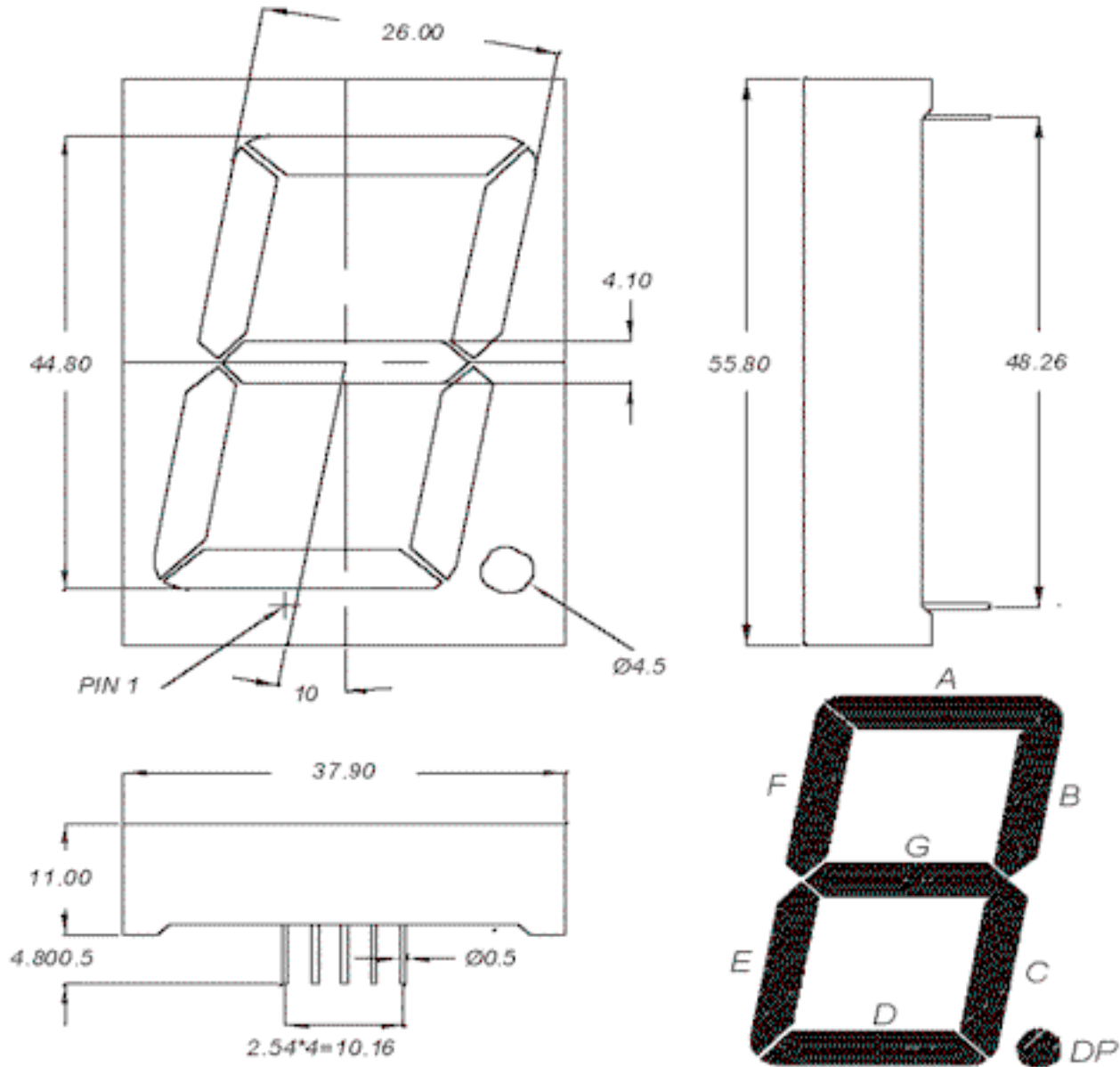
LED DISPLAYS

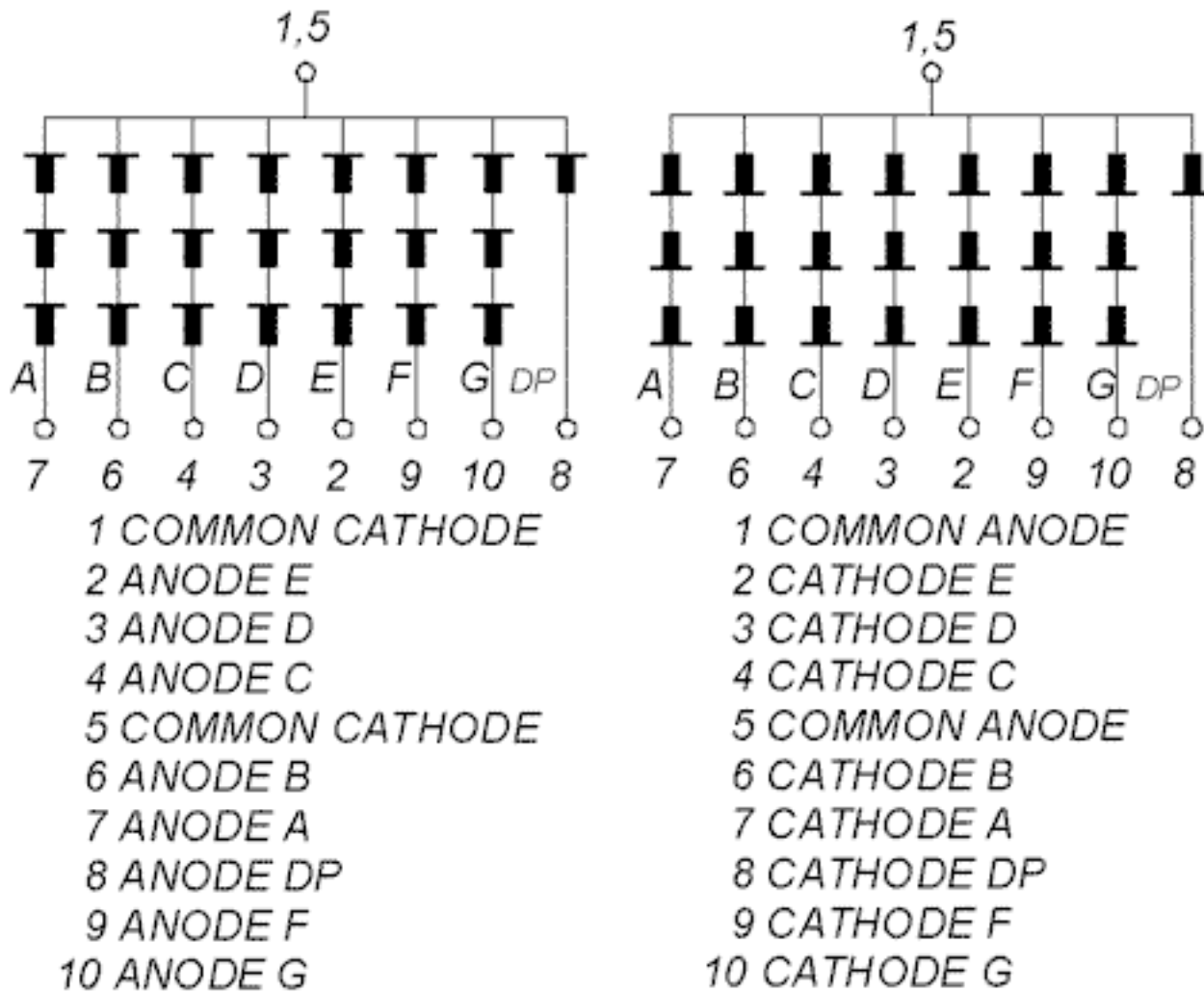
U.S.Electronics Inc.

Ph:(314)423 7550

CM1 - 180XX00

Fax:(314)423 0585





| Part Numbers | | Emitting Color | IF=20mA Min. ~ Typ. |
|----------------|---------------|----------------|---------------------|
| COMMON CATHODE | COMMON ANODE | | |
| CM1 - 1801200 | CM1 - 1802200 | Green | 1.30 - 3.60 |
| CM1 - 1801300 | CM1 - 1802300 | Orange | 1.40 - 3.60 |
| CM1 - 1801400 | CM1 - 1802400 | Gap-Red | 0.68 - 1.70 |
| CM1 - 1801500 | CM1 - 1802500 | Hi-Effi | 1.40 - 3.60 |
| CM1 - 1801600 | CM1 - 1802600 | Yellow | 1.30 - 3.20 |
| CM1 - 1801L00 | CM1 - 1802L00 | GaAlAs Red | 3.60 - 9.00 |
| CM1 - 1801G00 | CM1 - 1802G00 | SB/Green | 2.60 - 6.60 |

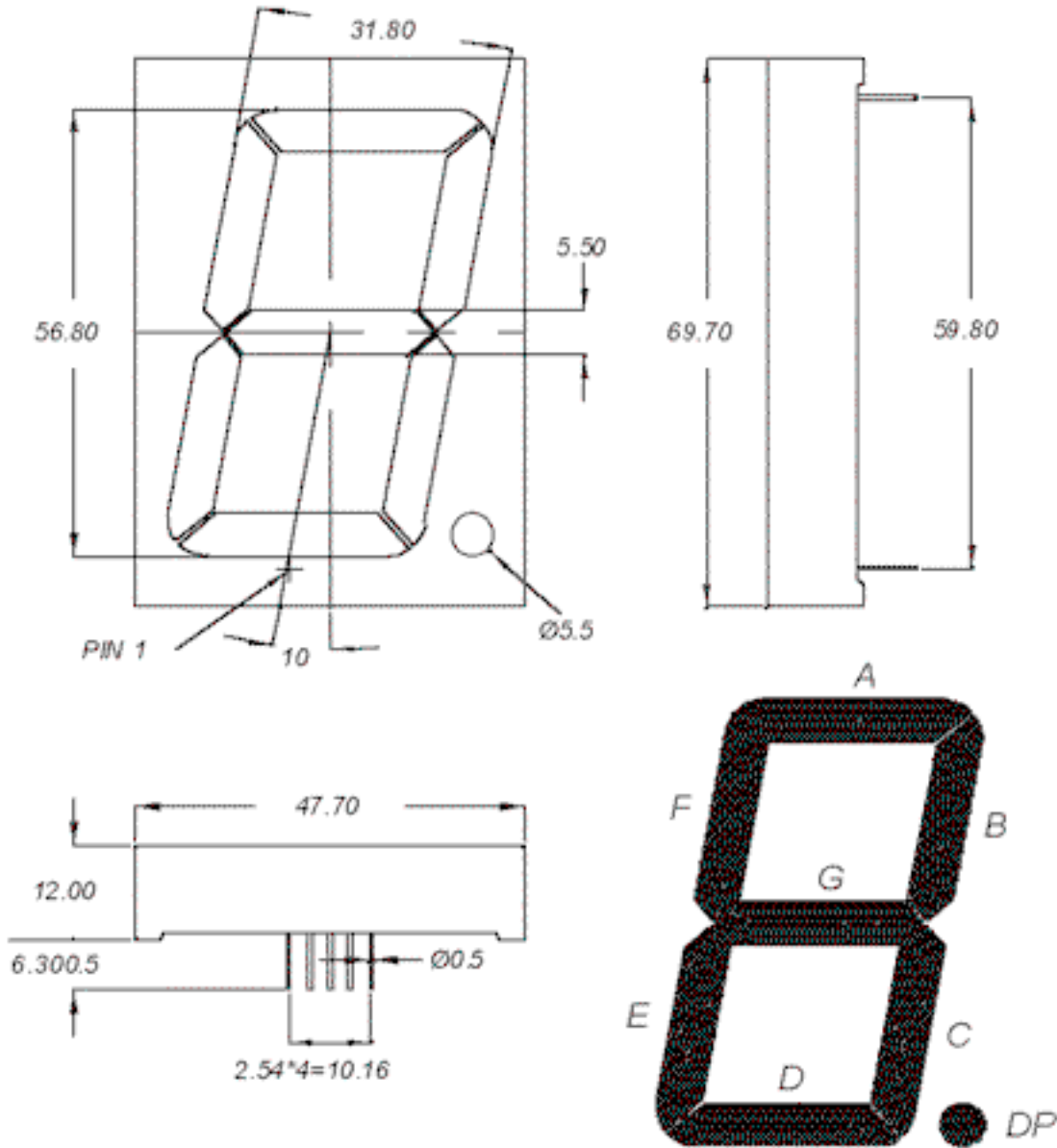
LED DISPLAYS

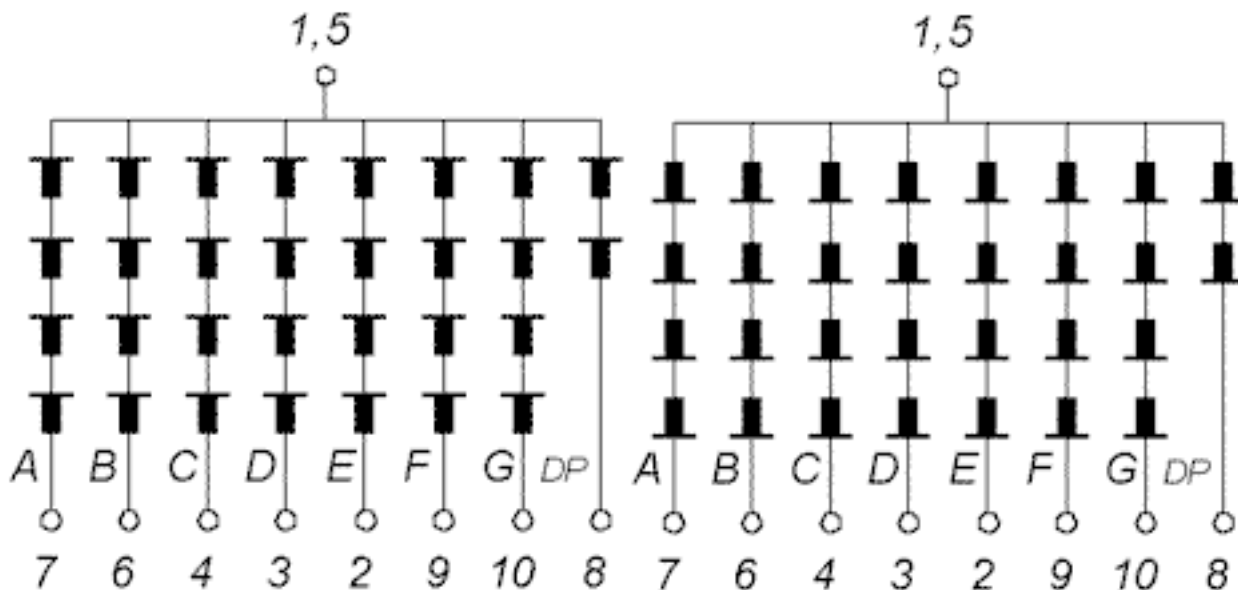
U.S.Electronics Inc.

Ph:(314)423 7550

CM1 - 230XX00







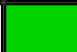
Fax:(314)423 0585





- 1. COMMON CATHODE
- 2. ANODE E
- 3. ANODE D
- 4. ANODE C
- 5. COMMON CATHODE
- 6. ANODE B
- 7. ANODE A
- 8. ANODE DP
- 9. ANODE F
- 10. ANODE G

- 1 COMMON ANODE
- 2 CATHODE E
- 3 CATHODE D
- 4 CATHODE C
- 5 COMMON ANODE
- 6 CATHODE B
- 7 CATHODE A
- 8 CATHODE DP
- 9 CATHODE F
- 10 CATHODE G

| Part Numbers | | Emitting Color | IF=20mA Min ~ Typ. |
|----------------|---------------|---|--------------------|
| COMMON CATHODE | COMMON ANODE | | |
| CM1 - 2301200 | CM1 - 2302200 | Green  | 2.00 - 6.00 |
| CM1 - 2301300 | CM1 - 2302300 | Orange  | 2.00 - 6.00 |
| CM1 - 2301400 | CM1 - 2302400 | Gap-Red  | 1.10 - 2.80 |
| CM1 - 2301500 | CM1 - 2302500 | Hi-Effi  | 2.00 - 6.00 |
| CM1 - 2301600 | CM1 - 2302600 | Yellow  | 2.00 - 6.00 |
| CM1 - 2301L00 | CM1 - 2302L00 | GaAlAs Red  | 6.00 - 15.0 |
| CM1 - 2301G00 | CM1 - 2302G00 | SB/Green  | 4.00 - 12.0 |

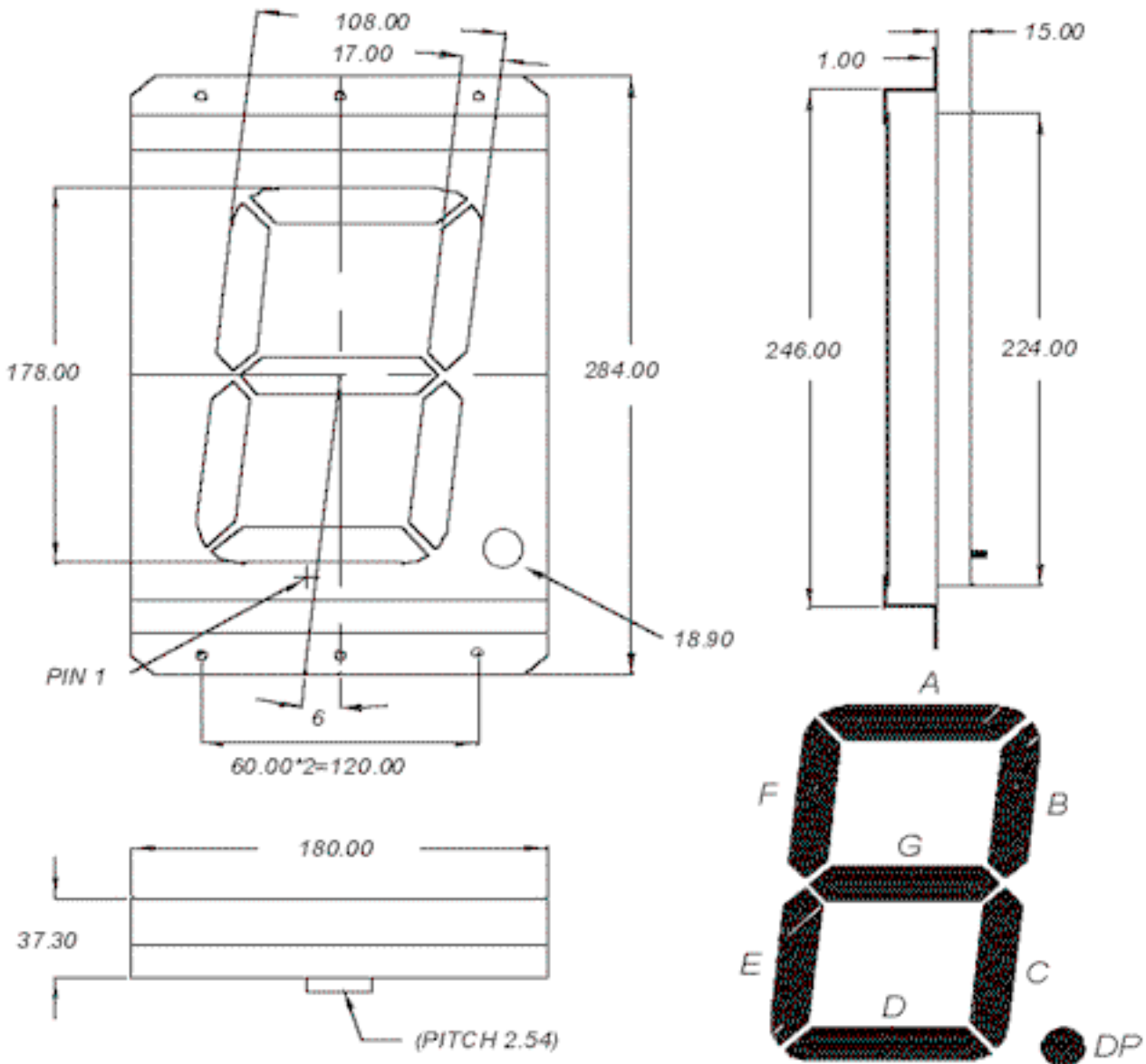
LED DISPLAYS

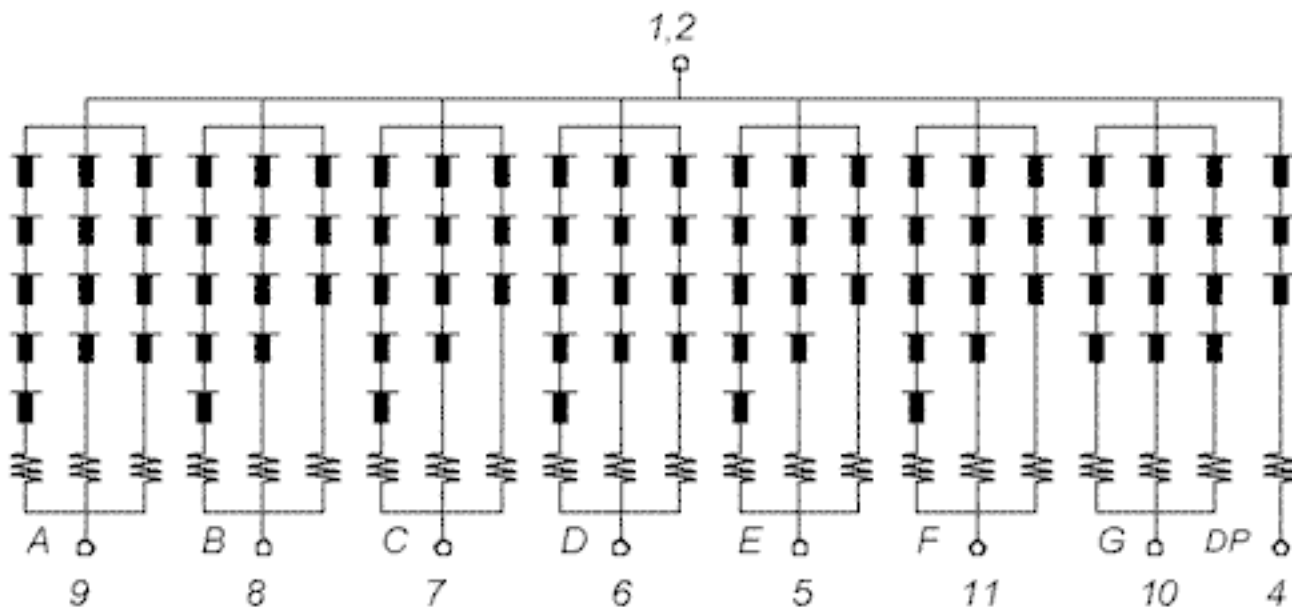
U.S.Electronics Inc.

Ph:(314)423 7550

CM1 - 700XX00

Fax:(314)423 0585

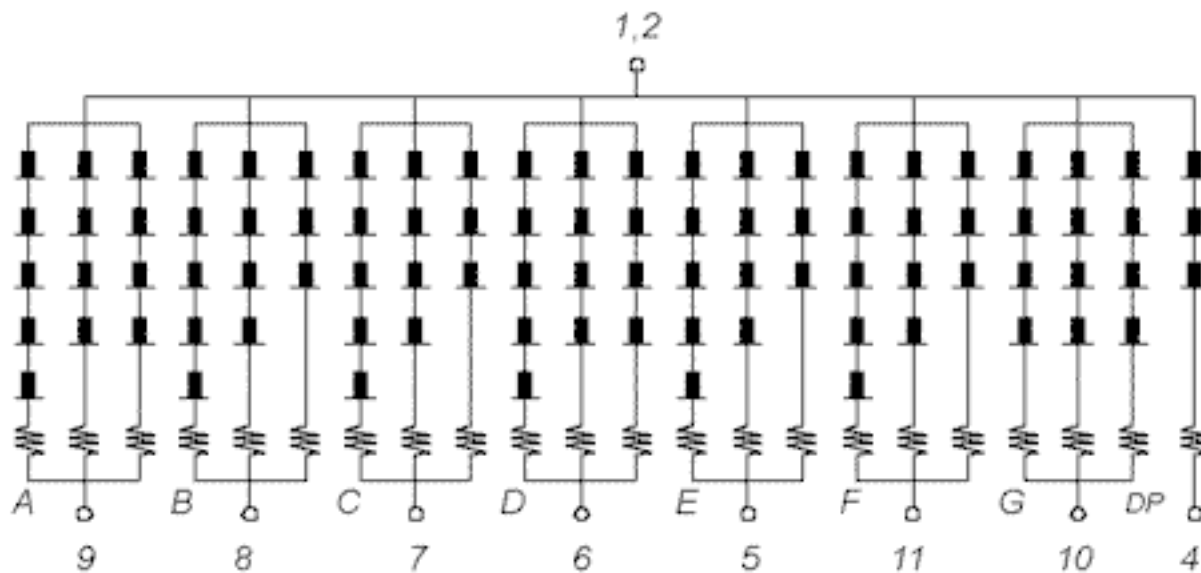




3,12,13 NO CONNECT

1 COMMON CATHODE
 2 COMMON CATHODE
 3 NO CONNECT
 4 ANODE DP
 5 ANODE E
 6 ANODE D
 7 ANODE C


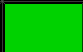
8 ANODE B
 9 ANODE A
 10 ANODE G
 11 ANODE F
 12 NO CONNECT
 13 NO CONNECT



3,12,13 NO CONNECT

1 COMMON ANODE
 2 COMMON ANODE
 3 NO CONNECT
 4 CATHODE DP
 5 CATHODE E
 6 CATHODE D
 7 CATHODE C

8 CATHODE B
 9 CATHODE A
 10 CATHODE G
 11 CATHODE F
 12 NO CONNECT
 13 NO CONNECT

| Part Numbers | | Emitting Color | | IF=20mA Min. ~ Typ. |
|----------------|---------------|----------------|---|------------------------|
| COMMON CATHODE | COMMON ANODE | | | |
| CM1 - 7001L00 | CM1 - 7002L00 | GaAlAs Red |  | 30.0 - 90.0 |
| CM1 - 7001G00 | CM1 - 7002G00 | SB/Green |  | 30.0 - 80.0 |

LED DISPLAYS

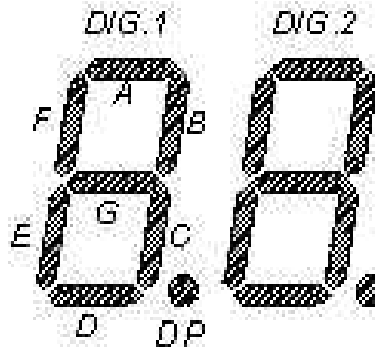
U.S.Electronics Inc.

Ph:(314)423 7550

Fax:(314)423 0585

Dual Digit Seven Segment Displays :

- [0.30" \(7.62 mm\) Digit height](#)
- [0.40" \(10.16 mm\) Digit height](#)
- [0.563" \(14.22 mm\) Digit height](#)
- [0.567" \(14.22 mm\) Digit height](#) (H.P.font)
- [0.80" \(20.20 mm\) Digit height](#)



This is just a sampling of various sizes available. Please contact us if the size you need is not in this table.

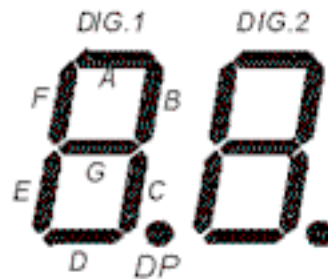
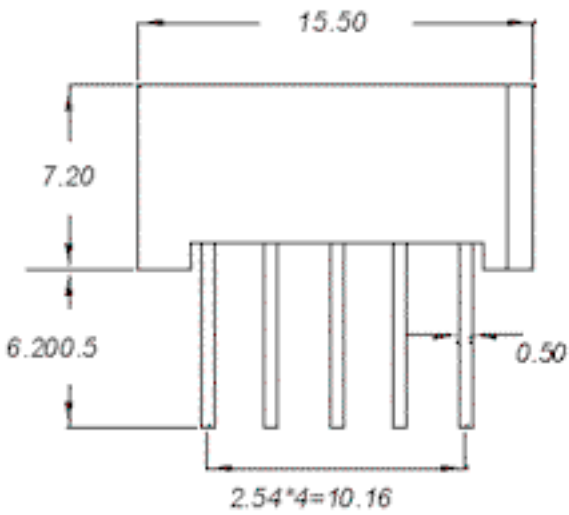
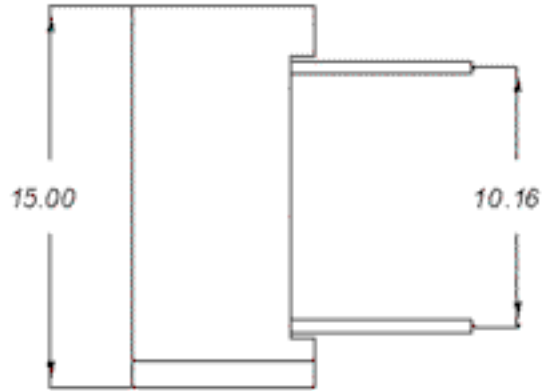
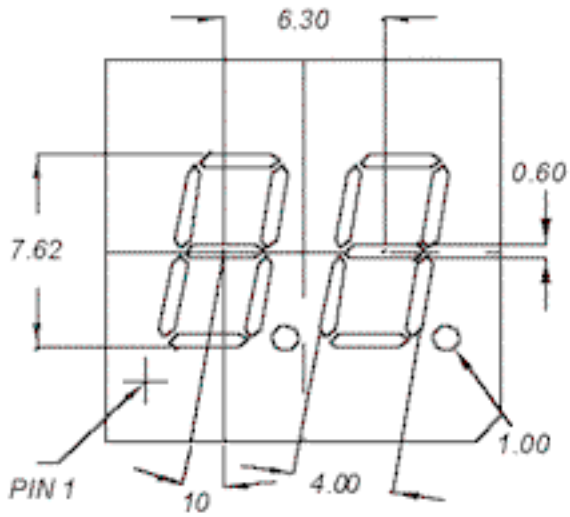
LED DISPLAYS

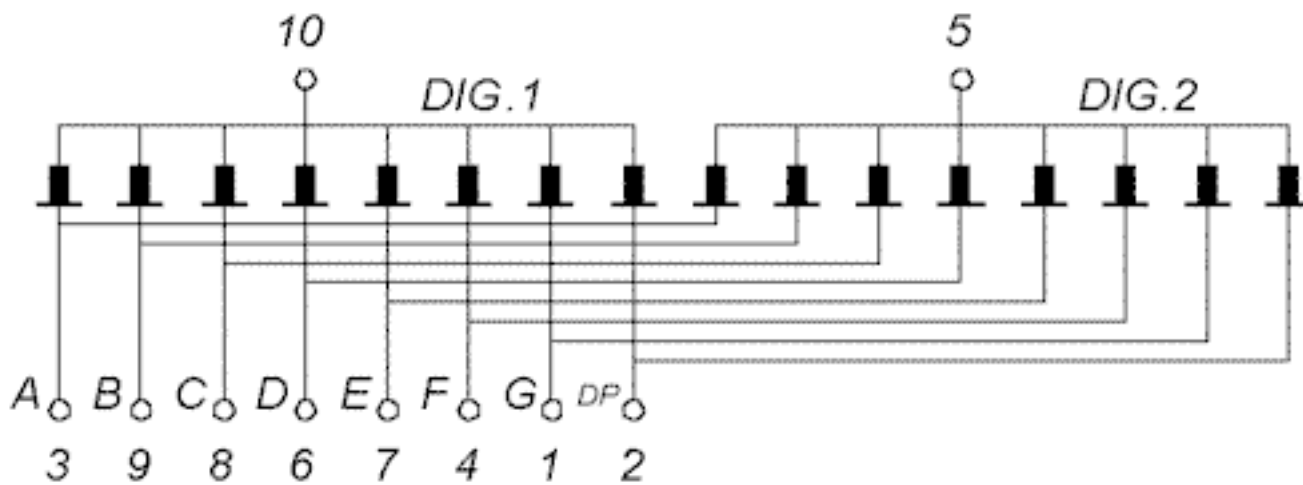
U.S.Electronics Inc.

Ph:(314)423 7550

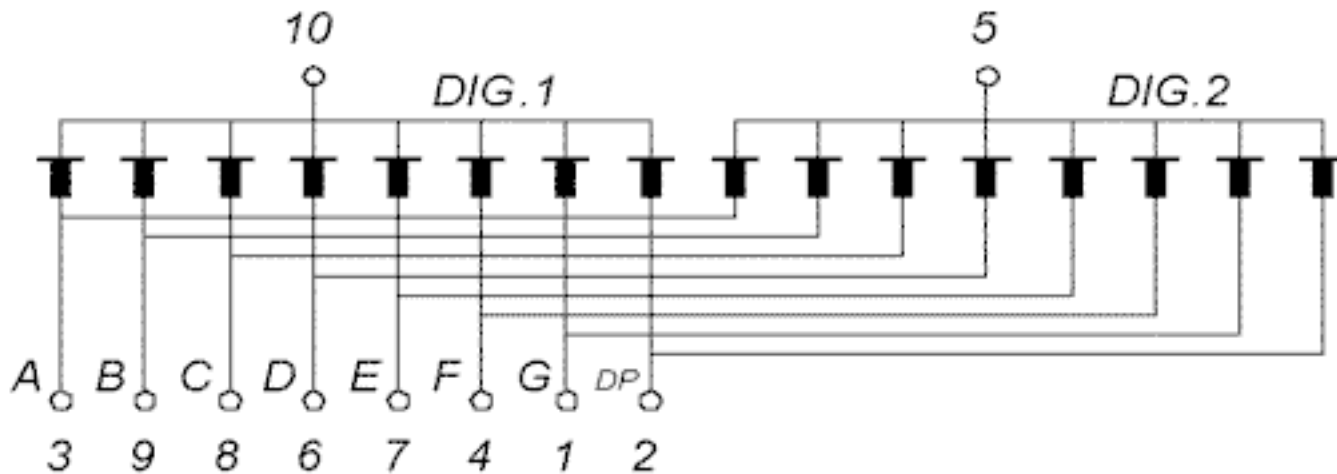
CM2 - 030XX00

Fax:(314)423 0585





- 1 CATHODE G
- 2 CATHODE DP
- 3 CATHODE A
- 4 CATHODE F
- 5 COMMON ANODE D2
- 6 CATHODE D
- 7 CATHODE E
- 8 CATHODE C
- 9 CATHODE B
- 10 COMMON ANODE D1



- 1 ANODE G
- 2 ANODE DP
- 3 ANODE A
- 4 ANODE F
- 5 COMMON CATHODE D2
- 6 ANODE D
- 7 ANODE E
- 8 ANODE C
- 9 ANODE B
- 10 COMMON CATHODE D1

| Part Numbers | | Emitting Color | IF=20mA Min. ~ Typ. |
|----------------|---------------|----------------|---------------------|
| COMMON CATHODE | COMMON ANODE | | |
| CM2 - 0305200 | CM2 - 0306200 | Green | 0.54 - 1.60 |
| CM2 - 0305300 | CM2 - 0306300 | Orange | 0.54 - 1.60 |
| CM2 - 0305400 | CM2 - 0306400 | Gap-Red | 0.21 - 0.65 |
| CM2 - 0305500 | CM2 - 0306500 | Hi-Effi | 0.54 - 1.60 |
| CM2 - 0305600 | CM2 - 0306600 | Yellow | 0.54 - 1.60 |
| CM2 - 0305L00 | CM2 - 0306L00 | GaAlAs Red | 1.60 - 4.00 |
| CM2 - 0305G00 | CM2 - 0306G00 | SB/Green | 1.00 - 3.20 |

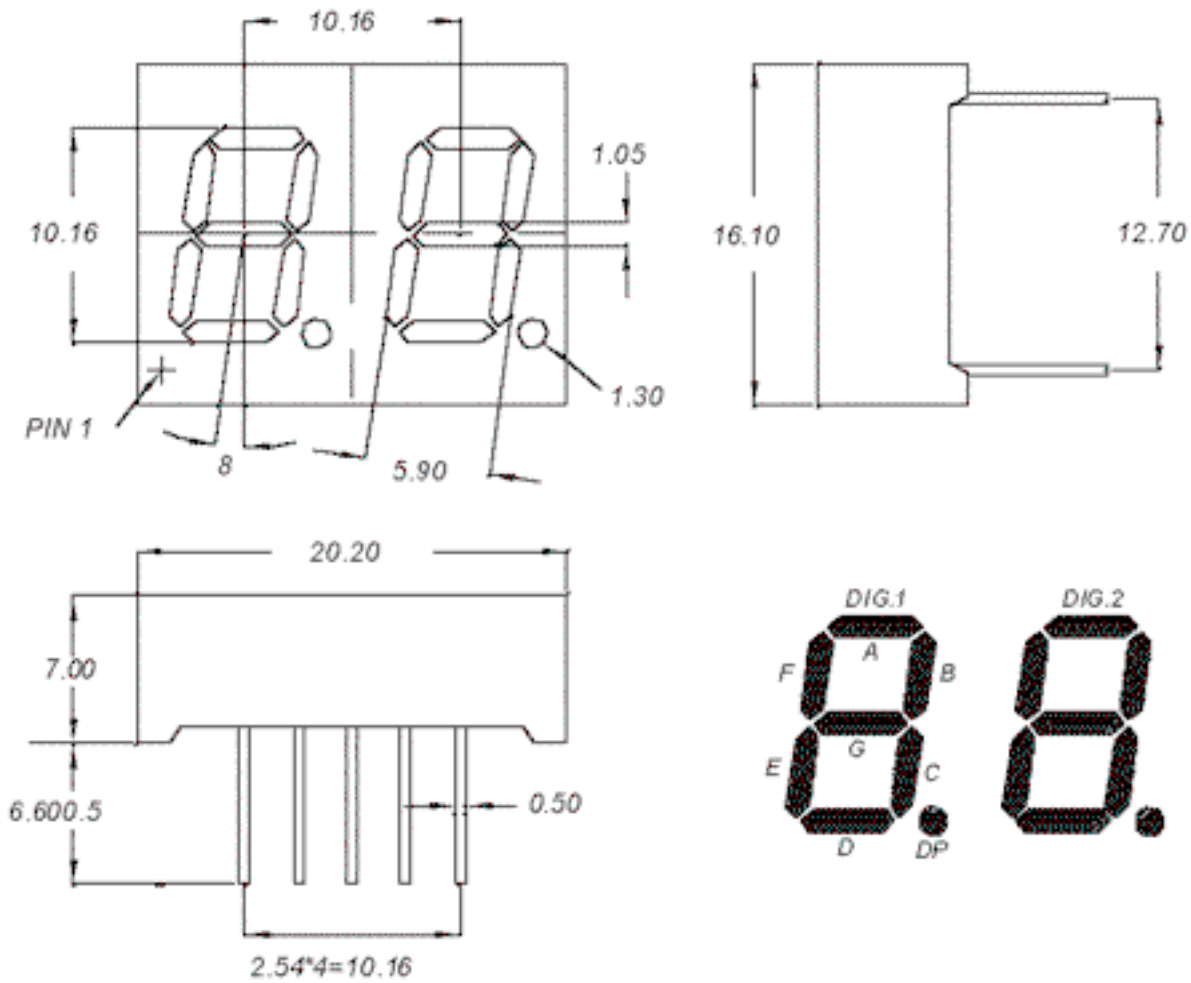
LED DISPLAYS

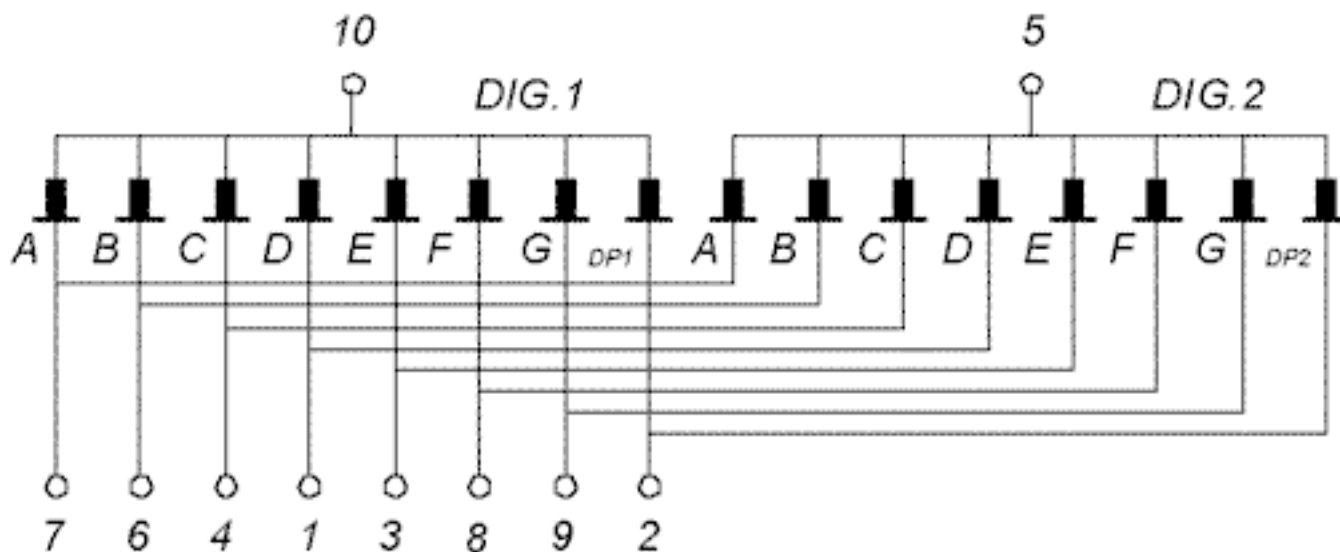
U.S.Electronics Inc.

Ph:(314)423 7550

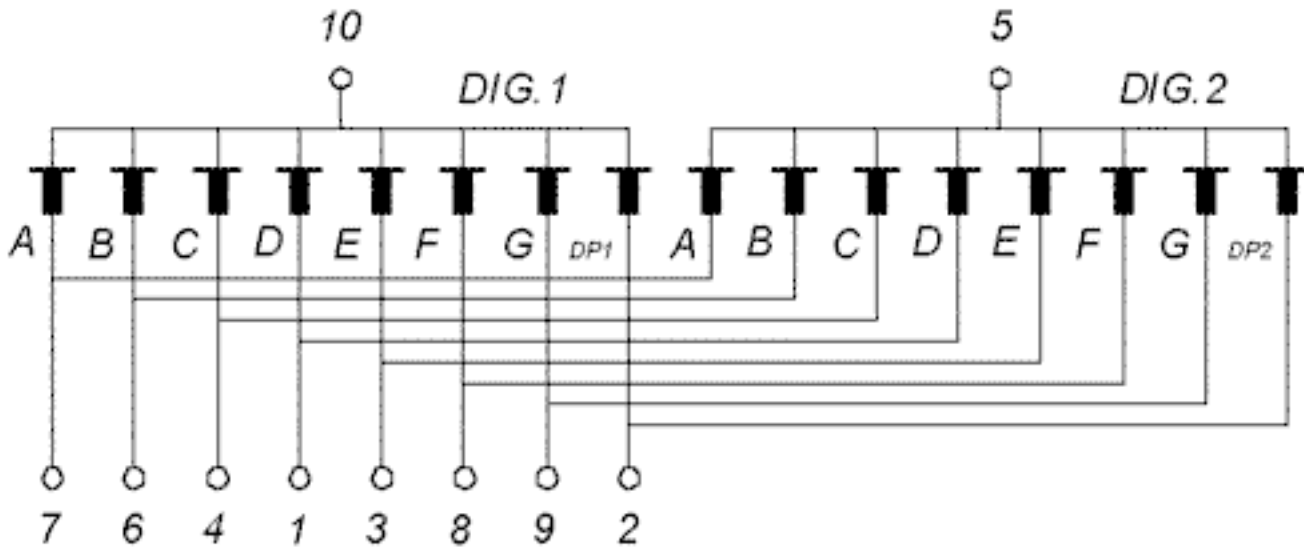
CM2 - 040XX00

Fax:(314)423 0585

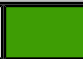










1. CATHODE D
2. CATHODE DP1, DP2
3. CATHODE E
4. CATHODE C
5. COMMON ANODE DIG.2
6. CATHODE B
7. CATHODE A
8. CATHODE F
9. CATHODE G
10. COMMON ANODE DIG.1



- 1. ANODE D
- 2. ANODE DP1 , DP2
- 3. ANODE E
- 4. ANODE C
- 5. COMMON CATHODE DIG.2
- 6. ANODE B
- 7. ANODE A
- 8. ANODE F
- 9. ANODE G
- 10. COMMON CATHODE DIG.1

| PartNumbers | | Emitting Color | IF=20mA Min. ~ Typ. |
|----------------|---------------|--|---------------------|
| COMMON CATHODE | COMMON ANODE | | |
| CM2 - 0405200 | CM2 - 0406200 | Green  | 0.87 - 2.20 |
| CM2 - 0405300 | CM2 - 0406300 | Orange  | 0.87 - 2.20 |
| CM2 - 0405400 | CM2 - 0406400 | Gap-Red  | 0.34 - 0.80 |
| CM2 - 0405500 | CM2 - 0406500 | Hi-Effi  | 0.87 - 2.20 |
| CM2 - 0405600 | CM2 - 0406600 | Yellow  | 0.87 - 2.20 |
| CM2 - 0405L00 | CM2 - 0406L00 | GaAlAs Red  | 2.20 - 5.50 |
| CM2 - 0405G00 | CM2 - 0406G00 | SB/Green  | 1.70 - 4.40 |

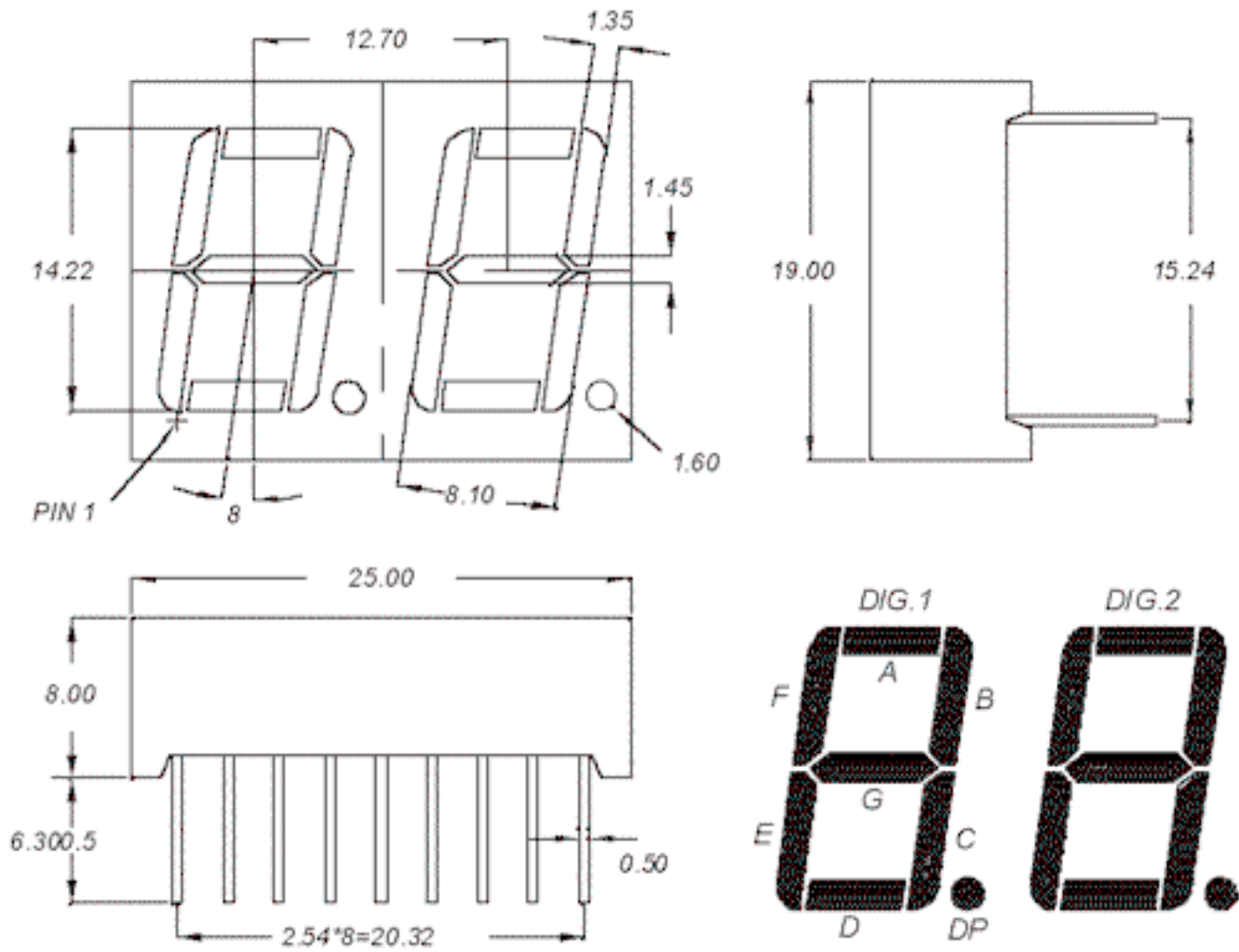
LED DISPLAYS

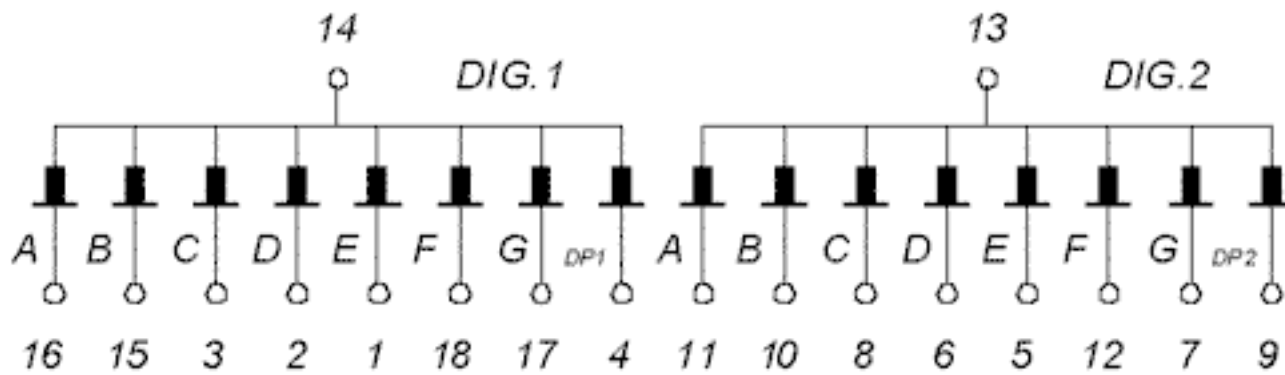
U.S.Electronics Inc.

Ph:(314)423 7550

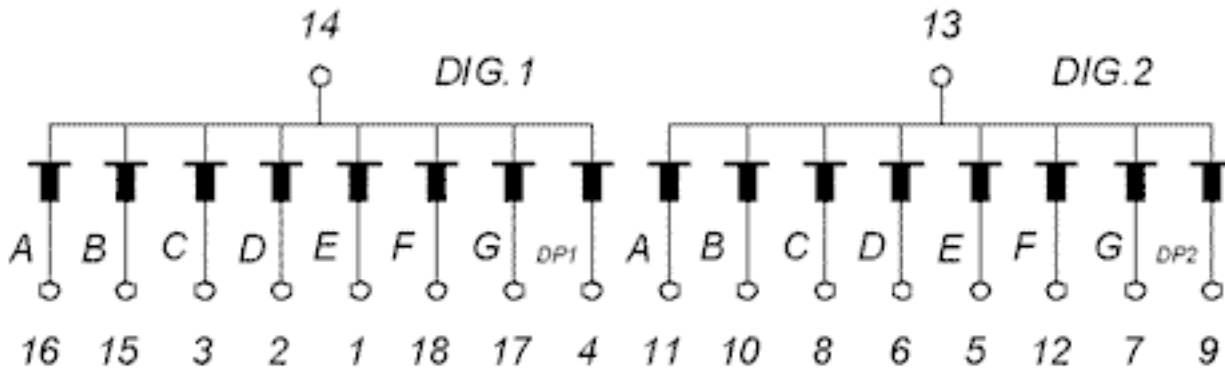
CM2 - 056XX00

Fax:(314)423 0585





- | | |
|----------------------|------------------------|
| 1. DIG.1 CATHODE E | 10. DIG.2 CATHODE B |
| 2. DIG.1 CATHODE D | 11. DIG.2 CATHODE A |
| 3. DIG.1 CATHODE C | 12. DIG.2 CATHODE F |
| 4. DIG.1 CATHODE DP1 | 13. DIG.2 COMMON ANODE |
| 5. DIG.2 CATHODE E | 14. DIG.1 COMMON ANODE |
| 6. DIG.2 CATHODE D | 15. DIG.1 CATHODE B |
| 7. DIG.2 CATHODE G | 16. DIG.1 CATHODE A |
| 8. DIG.2 CATHODE C | 17. DIG.1 CATHODE G |
| 9. DIG.2 CATHODE DP2 | 18. DIG.1 CATHODE F |



- | | |
|--------------------|--------------------------|
| 1. DIG.1 ANODE E | 10. DIG.2 ANODE B |
| 2. DIG.1 ANODE D | 11. DIG.2 ANODE A |
| 3. DIG.1 ANODE C | 12. DIG.2 ANODE F |
| 4. DIG.1 ANODE DP1 | 13. DIG.2 COMMON CATHODE |
| 5. DIG.2 ANODE E | 14. DIG.1 COMMON CATHODE |
| 6. DIG.2 ANODE D | 15. DIG.1 ANODE B |
| 7. DIG.2 ANODE G | 16. DIG.1 ANODE A |
| 8. DIG.2 ANODE C | 17. DIG.1 ANODE G |
| 9. DIG.2 ANODE DP2 | 18. DIG.1 ANODE F |

| Part Numbers | | Emitting Color | IF=20mA Min. ~ Typ. |
|----------------|---------------|----------------|---------------------|
| COMMON CATHODE | COMMON ANODE | | |
| CM2 - 0561200 | CM2 - 0562200 | Green | 0.87 - 2.40 |
| CM2 - 0561300 | CM2 - 0562300 | Orange | 0.87 - 2.40 |
| CM2 - 0561400 | CM2 - 0562400 | Gap-Red | 0.87 - 0.95 |
| CM2 - 0561500 | CM2 - 0562500 | Hi-Effi | 0.87 - 2.40 |
| CM2 - 0561600 | CM2 - 0562600 | Yellow | 0.87 - 2.40 |
| CM2 - 0561L00 | CM2 - 0562L00 | GaAlAs Red | 2.40 - 6.00 |
| CM2 - 0561G00 | CM2 - 0562G00 | SB/Green | 1.70 - 4.80 |

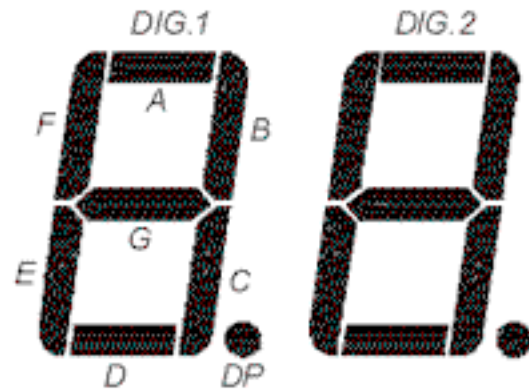
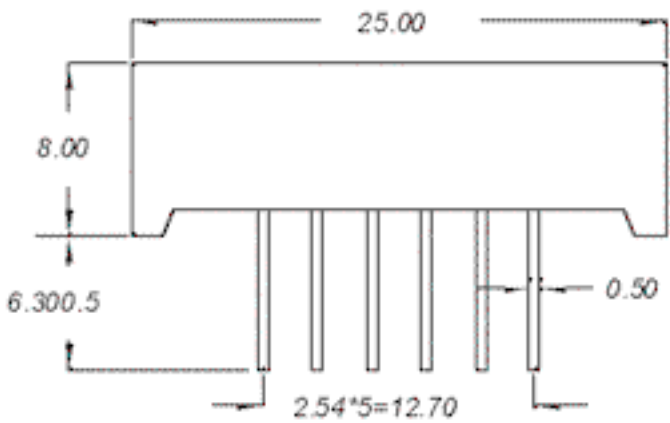
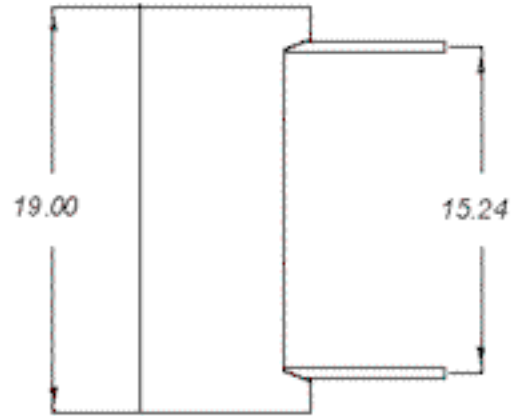
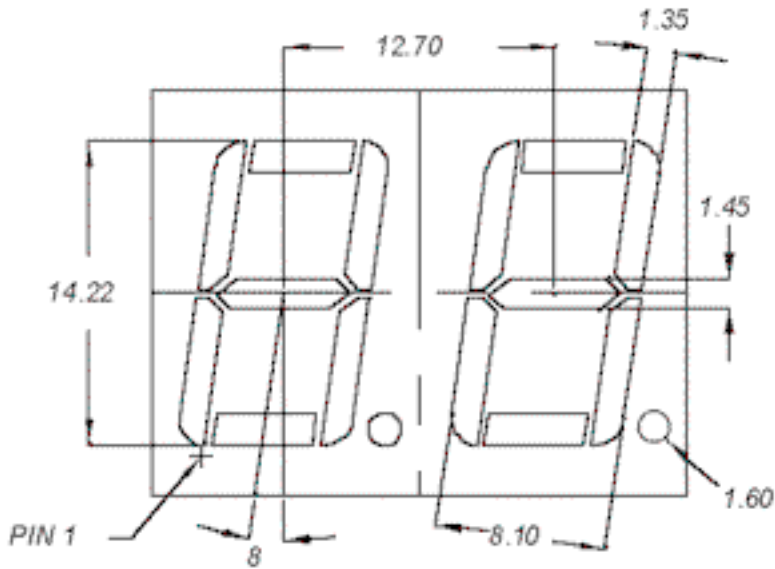
LED DISPLAYS

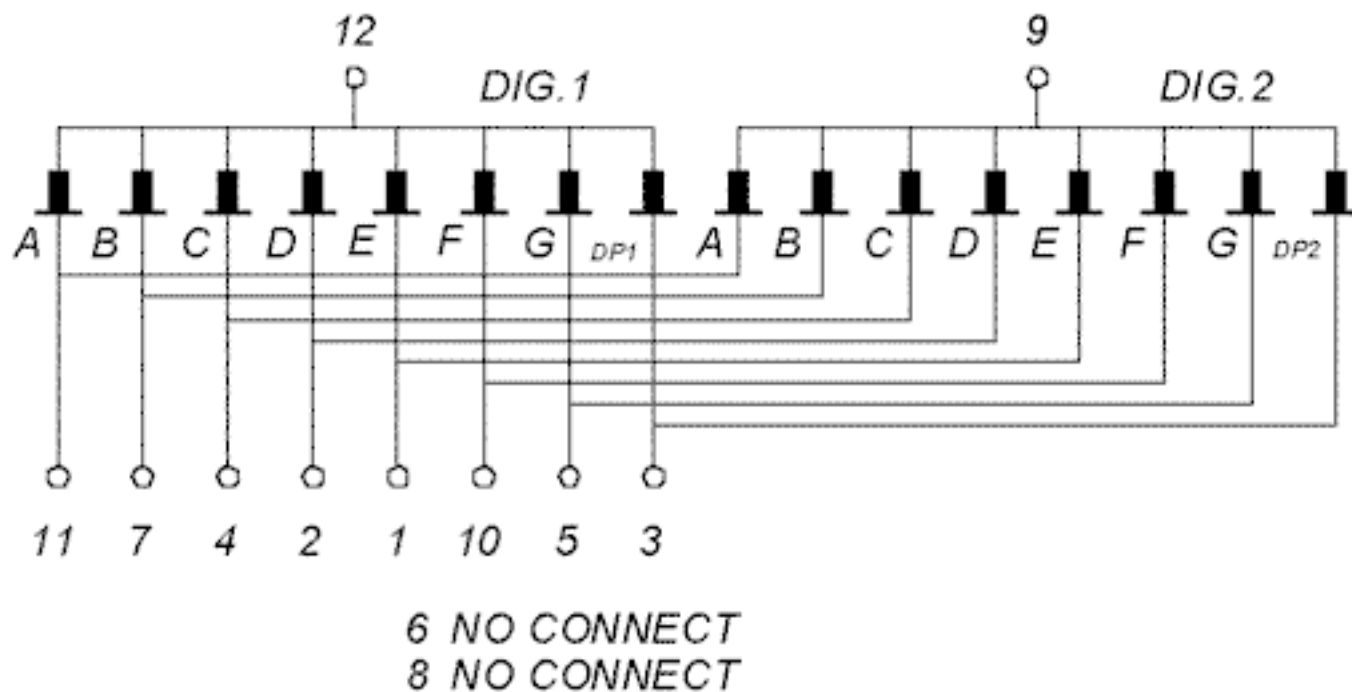
U.S.Electronics Inc.

Ph:(314)423 7550

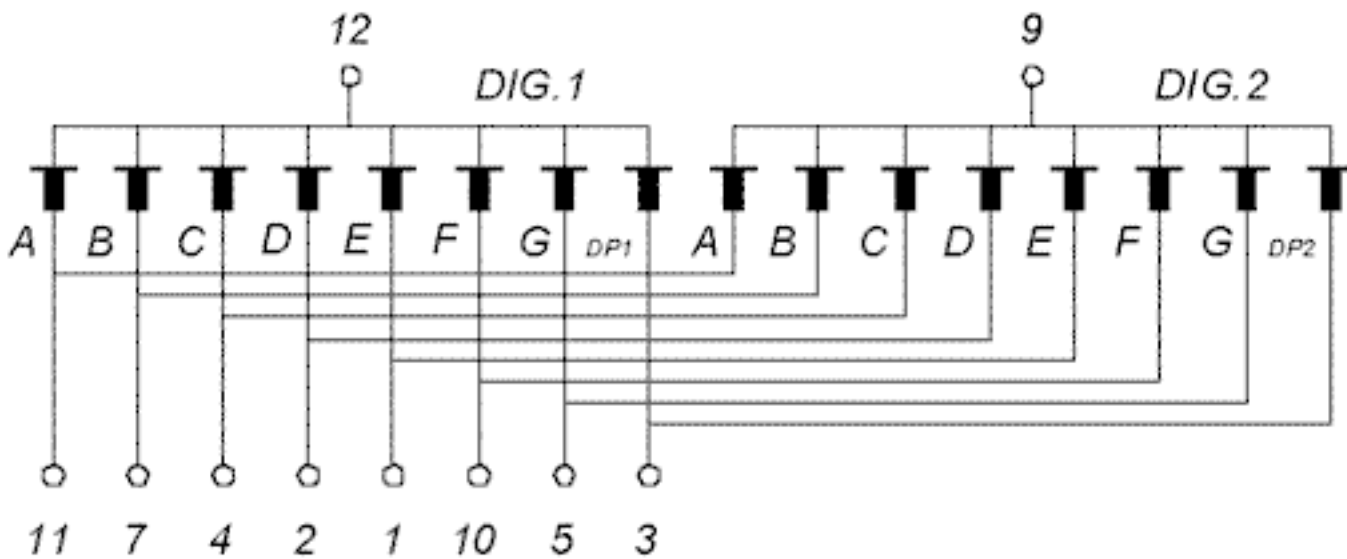
CM2 - 056XX00

Fax:(314)423 0585












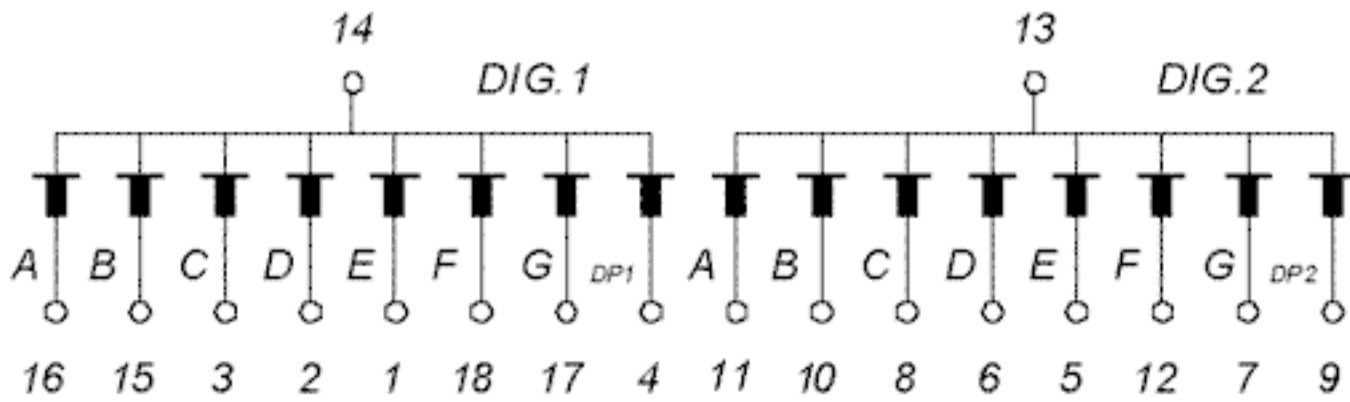
- | | |
|---------------------|------------------------|
| 1. CATHODE E | 7. CATHODE B |
| 2. CATHODE D | 8. NO CONNECT |
| 3. CATHODE DP1, DP2 | 9. COMMON ANODE DIG.2 |
| 4. CATHODE C | 10. CATHODE F |
| 5. CATHODE G | 11. CATHODE A |
| 6. NO CONNECT | 12. COMMON ANODE DIG.1 |










6 NO CONNECT
8 NO CONNECT

- | | |
|-------------------|--------------------------|
| 1. ANODE E | 7. ANODE B |
| 2. ANODE D | 8. NO CONNECT |
| 3. ANODE DP1, DP2 | 9. COMMON CATHODE DIG.2 |
| 4. ANODE C | 10. ANODE F |
| 5. ANODE G | 11. ANODE A |
| 6. NO CONNECT | 12. COMMON CATHODE DIG.1 |

| Part Numbers | | Emitting Color | | IF=20mA Min. ~ Typ. |
|----------------|---------------|----------------|---|---------------------|
| COMMON CATHODE | COMMON ANODE | | | |
| CM2 - 0565200 | CM2 - 0566200 | Green |  | 0.87 - 2.40 |
| CM2 - 0565300 | CM2 - 0566300 | Orange |  | 0.87 - 2.40 |
| CM2 - 0565400 | CM2 - 0566400 | Gap-Red |  | 0.34 - 0.95 |
| CM2 - 0565500 | CM2 - 0566500 | Hi-Effi |  | 0.87 - 2.40 |
| CM2 - 0565600 | CM2 - 0566600 | Yellow |  | 0.87 - 2.40 |
| CM2 - 0565L00 | CM2 - 0566L00 | GaAlAs Red |  | 2.40 - 6.00 |
| CM2 - 0565G00 | CM2 - 0566G00 | SB/Green |  | 1.70 - 4.80 |



- | | |
|--------------------|--------------------------|
| 1. DIG.1 ANODE E | 10. DIG.2 ANODE B |
| 2. DIG.1 ANODE D | 11. DIG.2 ANODE A |
| 3. DIG.1 ANODE C | 12. DIG.2 ANODE F |
| 4. DIG.1 ANODE DP1 | 13. DIG.2 COMMON CATHODE |
| 5. DIG.2 ANODE E | 14. DIG.1 COMMON CATHODE |
| 6. DIG.2 ANODE D | 15. DIG.1 ANODE B |
| 7. DIG.2 ANODE G | 16. DIG.1 ANODE A |
| 8. DIG.2 ANODE C | 17. DIG.1 ANODE G |
| 9. DIG.2 ANODE DP2 | 18. DIG.1 ANODE F |

| Part Numbers | | Emitting Color | IF=20mA Min. ~ Typ. |
|----------------|---------------|--|---------------------|
| COMMON CATHODE | COMMON ANODE | | |
| CM2 - 0801200 | CM2 - 0802200 | Green  | 1.00 - 2.55 |
| CM2 - 0801300 | CM2 - 0802300 | Orange  | 1.00 - 2.55 |
| CM2 - 0801400 | CM2 - 0802400 | Gap-Red  | 0.40 - 1.00 |
| CM2 - 0801500 | CM2 - 0802500 | Hi-Effi  | 1.00 - 2.55 |
| CM2 - 0801600 | CM2 - 0802600 | Yellow  | 1.00 - 2.55 |
| CM2 - 0801L00 | CM2 - 0802L00 | GaAlAs Red  | 2.60 - 6.40 |
| CM2 - 0801G00 | CM2 - 0802G00 | SB/Green  | 2.00 - 5.00 |

LED DISPLAYS

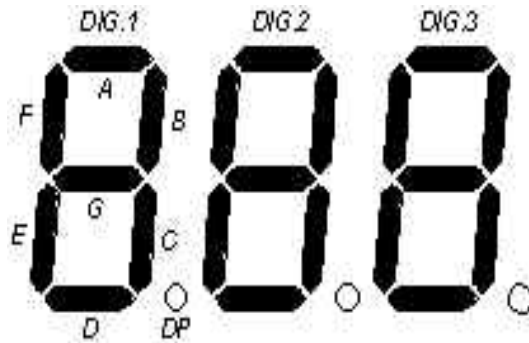
U.S.Electronics Inc.

Ph:(314)423 7550

Fax:(314)423 0585

Triple Digit Seven Segment Displays

- [0.363" \(9.10 mm\) Digit height](#) (12 pin)
- [0.367" \(10.00 mm\) Digit height](#) (24 pin)
- [0.563" \(14.20 mm\) Digit height](#) (12 pin)
- [0.567" \(14.20 mm\) Digit height](#) (28 pin)



This is just a sampling of various sizes available. Please contact us if the size you need is not in this table.

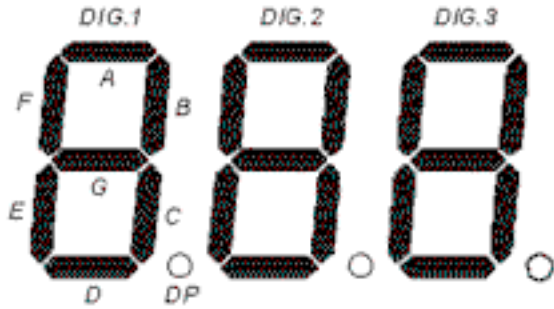
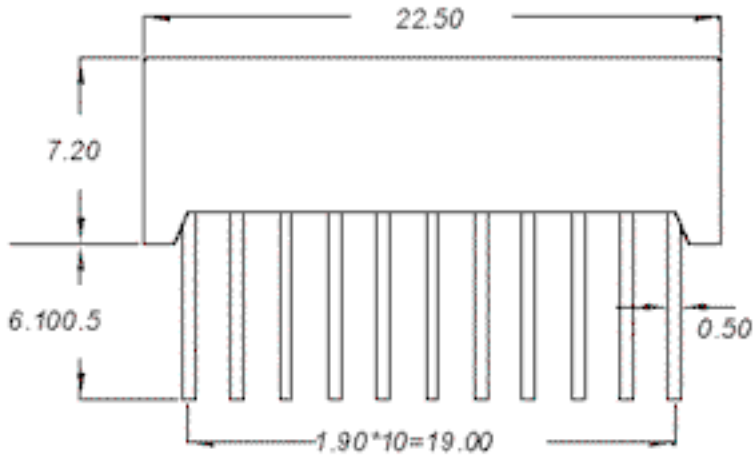
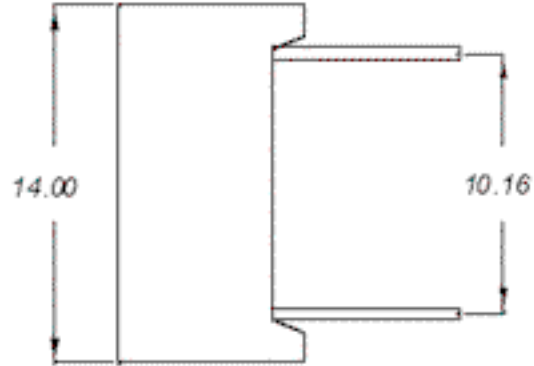
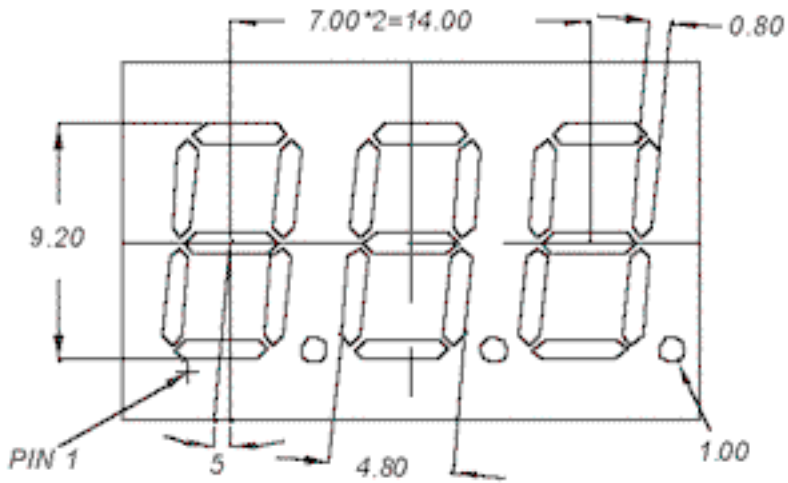
LED DISPLAYS

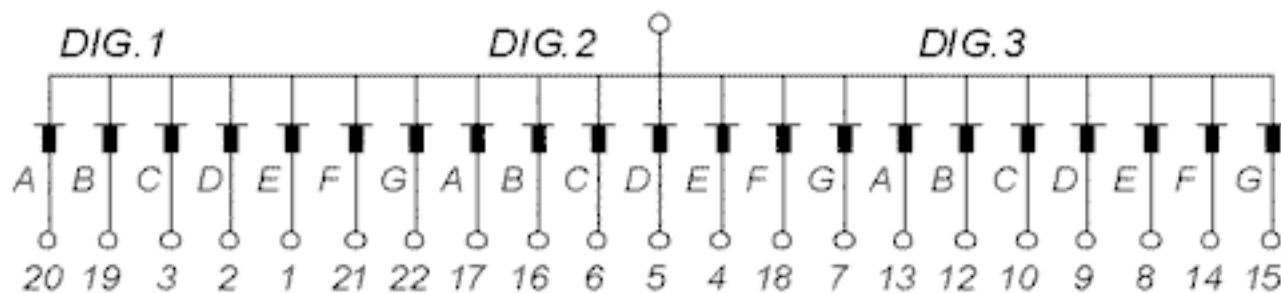
U.S.Electronics Inc.

Ph:(314)423 7550

CM3 - 036XX00

Fax:(314)423 0585





- | | |
|--------------------|-------------------|
| 1. DIG.1 ANODE E | 12. DIG.3 ANODE B |
| 2. DIG.1 ANODE D | 13. DIG.3 ANODE A |
| 3. DIG.1 ANODE C | 14. DIG.3 ANODE F |
| 4. DIG.2 ANODE E | 15. DIG.3 ANODE G |
| 5. DIG.2 ANODE D | 16. DIG.2 ANODE B |
| 6. DIG.2 ANODE C | 17. DIG.2 ANODE A |
| 7. DIG.2 ANODE G | 18. DIG.2 ANODE F |
| 8. DIG.3 ANODE E | 19. DIG.1 ANODE B |
| 9. DIG.3 ANODE D | 20. DIG.1 ANODE A |
| 10. DIG.3 ANODE C | 21. DIG.1 ANODE F |
| 11. COMMON CATHODE | 22. DIG.1 ANODE G |

| Part Numbers | | Emitting Color | IF=20mA Min. ~ Typ. |
|----------------|---------------|----------------|---------------------|
| COMMON CATHODE | COMMON ANODE | | |
| CM3 - 0361200 | CM3 - 0362200 | Green | 0.80 - 2.30 |
| CM3 - 0361300 | CM3 - 0362300 | Orange | 0.80 - 2.40 |
| CM3 - 0361400 | CM3 - 0362400 | Gap-Red | 0.32 - 0.75 |
| CM3 - 0361500 | CM3 - 0362500 | Hi-Effi | 0.80 - 2.40 |
| CM3 - 0361600 | CM3 - 0362600 | Yellow | 0.80 - 2.20 |
| CM3 - 0361L00 | CM3 - 0362L00 | GaAlAs Red | 2.40 - 6.00 |
| CM3 - 0361G00 | CM3 - 0362G00 | SB/Green | 1.80 - 4.60 |

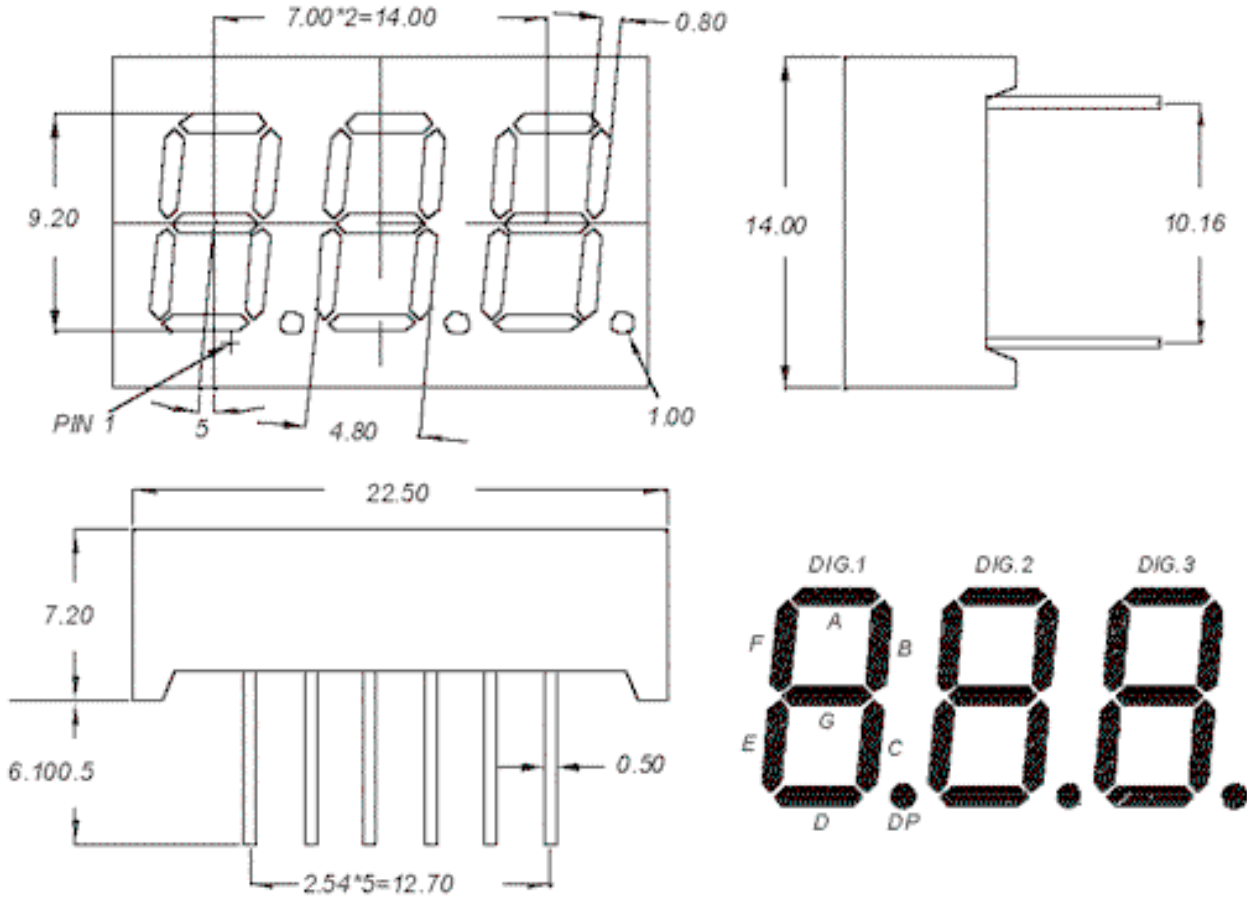
LED DISPLAYS

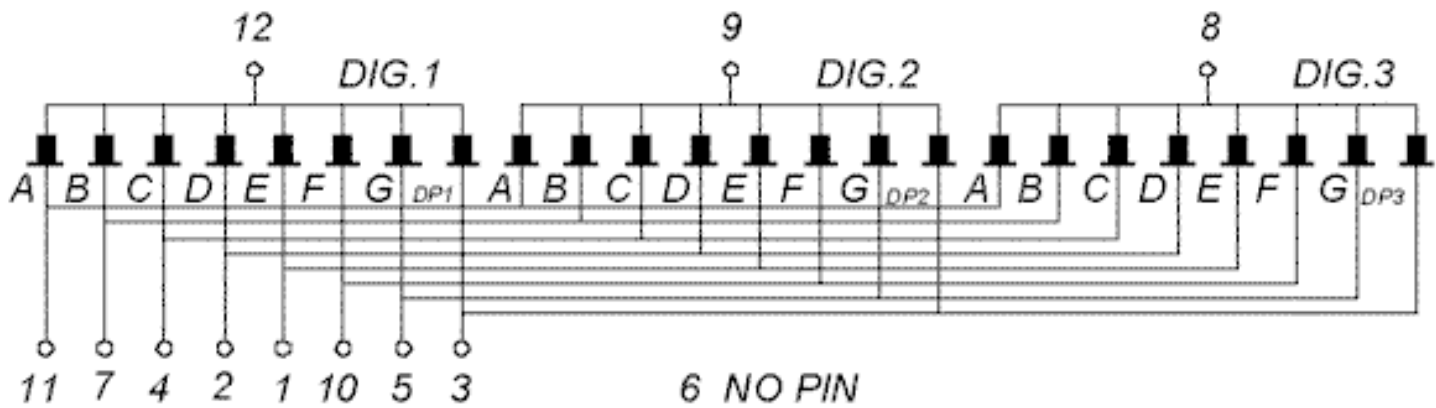
U.S.Electronics Inc.

Ph:(314)423 7550

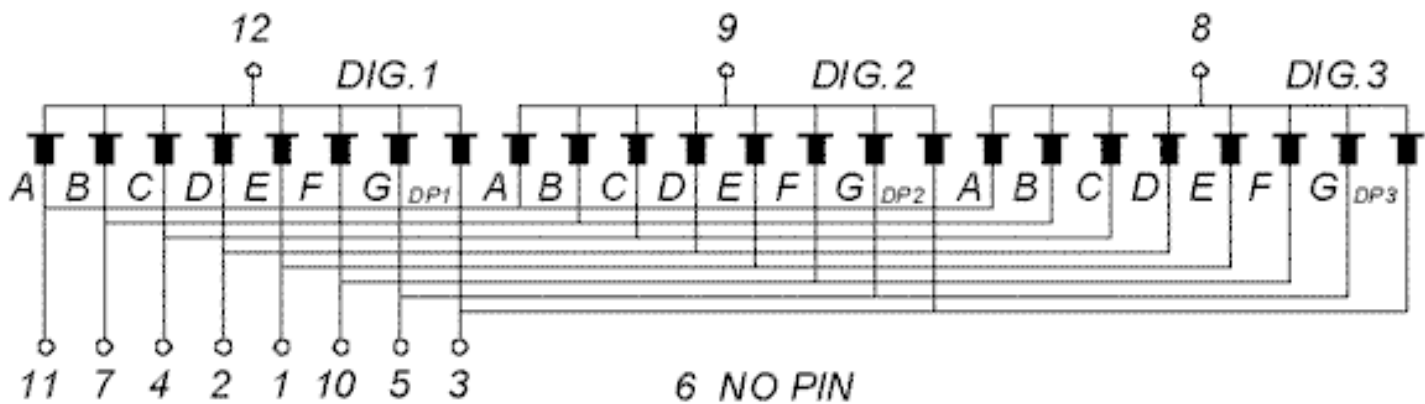
CM3 - 036XX00

Fax:(314)423 0585





1. CATHODE E
2. CATHODE D
3. CATHODE DP1, DP2, DP3
4. CATHODE C
5. CATHODE G
6. NO PIN
7. CATHODE B
8. COMMON ANODE DIG.3
9. COMMON ANODE DIG.2
10. CATHODE F
11. CATHODE A
12. COMMON ANODE DIG.1



1. ANODE E
2. ANODE D
3. ANODE DP1, DP2, DP3
4. ANODE C
5. ANODE G
6. NO PIN
7. ANODE B
8. COMMON CATHODE DIG.3
9. COMMON CATHODE DIG.2
10. ANODE F
11. ANODE A
12. COMMON CATHODE DIG.1

| Part Numbers | | Emitting Color | IF=20mA Min. ~ Typ. |
|----------------|---------------|----------------|---------------------|
| COMMON CATHODE | COMMON ANODE | | |
| CM3 - 0365200 | CM3 - 0366200 | Green | 0.80 - 2.30 |
| CM3 - 0365300 | CM3 - 0366300 | Orange | 0.80 - 2.40 |
| CM3 - 0365400 | CM3 - 0366400 | Gap-Red | 0.32 - 0.75 |
| CM3 - 0365500 | CM3 - 0366500 | Hi-Effi | 0.80 - 2.40 |
| CM3 - 0365600 | CM3 - 0366600 | Yellow | 0.80 - 2.20 |
| CM3 - 0365L00 | CM3 - 0366L00 | GaAlAs Red | 2.40 - 6.00 |
| CM3 - 0365G00 | CM3 - 0366G00 | SB/Green | 1.80 - 4.60 |

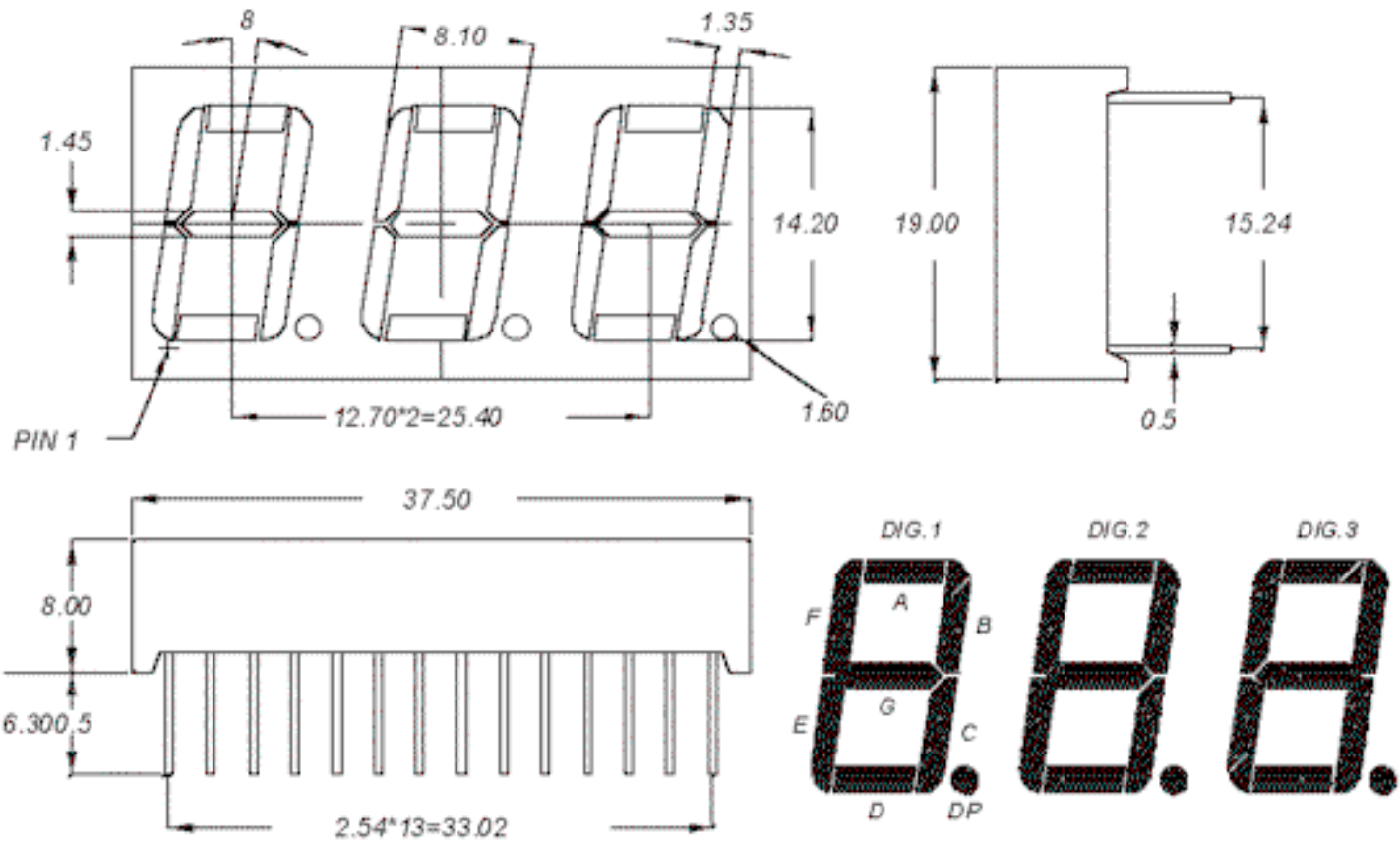
LED DISPLAYS

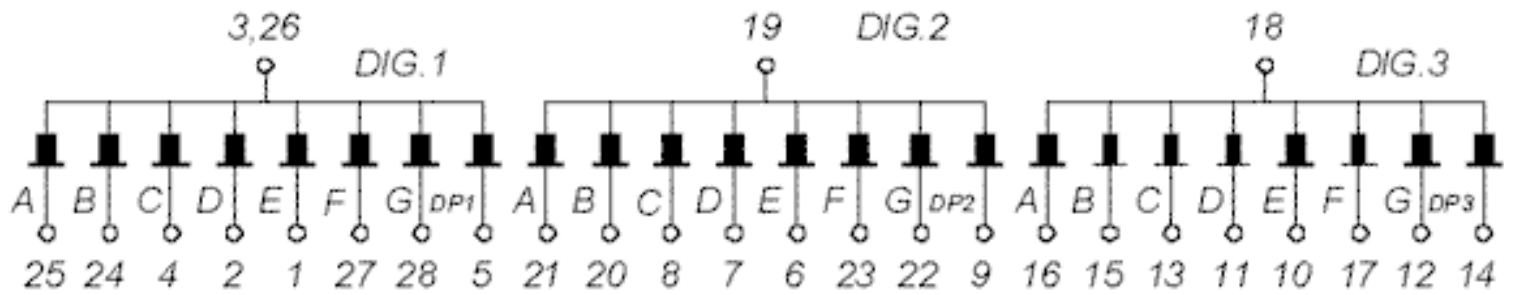
U.S.Electronics Inc.

Ph:(314)423 7550

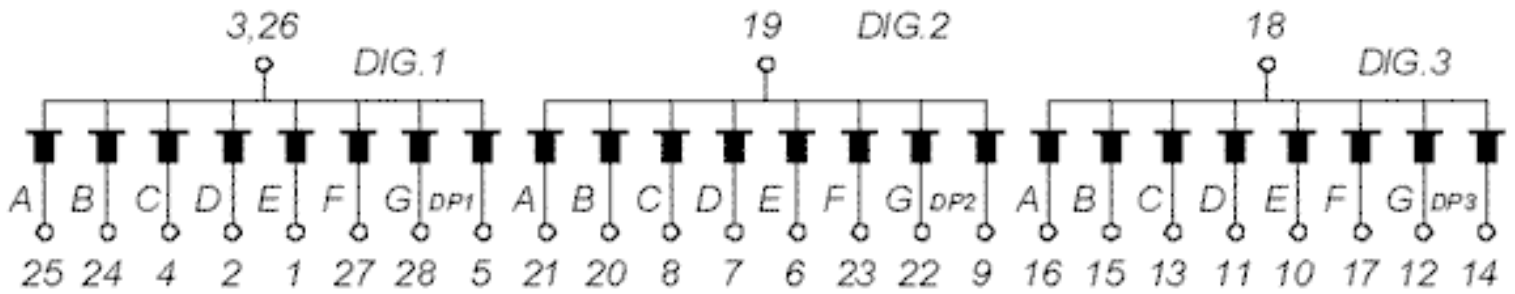
CM3 - 056XX00

Fax:(314)423 0585












- | | |
|-----------------------|------------------------|
| 1. DIG.1 CATHODE E | 15. DIG.3 CATHODE B |
| 2. DIG.1 CATHODE D | 16. DIG.3 CATHODE A |
| 3. DIG.1 COMMON ANODE | 17. DIG.3 CATHODE F |
| 4. DIG.1 CATHODE C | 18. DIG.3 COMMON ANODE |
| 5. DIG.1 CATHODE DP1 | 19. DIG.2 COMMON ANODE |
| 6. DIG.2 CATHODE E | 20. DIG.2 CATHODE B |
| 7. DIG.2 CATHODE D | 21. DIG.2 CATHODE A |
| 8. DIG.2 CATHODE C | 22. DIG.2 CATHODE G |
| 9. DIG.2 CATHODE DP2 | 23. DIG.2 CATHODE F |
| 10. DIG.3 CATHODE E | 24. DIG.1 CATHODE B |
| 11. DIG.3 CATHODE D | 25. DIG.1 CATHODE A |
| 12. DIG.3 CATHODE G | 26. DIG.1 COMMON ANODE |
| 13. DIG.3 CATHODE C | 27. DIG.1 CATHODE F |
| 14. DIG.3 CATHODE DP3 | 28. DIG.1 CATHODE G |



- | | |
|-------------------------|--------------------------|
| 1. DIG.1 ANODE E | 15. DIG.3 ANODE B |
| 2. DIG.1 ANODE D | 16. DIG.3 ANODE A |
| 3. DIG.1 COMMON CATHODE | 17. DIG.3 ANODE F |
| 4. DIG.1 ANODE C | 18. DIG.3 COMMON CATHODE |
| 5. DIG.1 ANODE DP1 | 19. DIG.2 COMMON CATHODE |
| 6. DIG.2 ANODE E | 20. DIG.2 ANODE B |
| 7. DIG.2 ANODE D | 21. DIG.2 ANODE A |
| 8. DIG.2 ANODE C | 22. DIG.2 ANODE G |
| 9. DIG.2 ANODE DP2 | 23. DIG.2 ANODE F |
| 10. DIG.3 ANODE E | 24. DIG.1 ANODE B |
| 11. DIG.3 ANODE D | 25. DIG.1 ANODE A |
| 12. DIG.3 ANODE G | 26. DIG.1 COMMON CATHODE |
| 13. DIG.3 ANODE C | 27. DIG.1 ANODE F |
| 14. DIG.3 ANODE DP3 | 28. DIG.1 ANODE G |

| Part Numbers | | Emitting Color | | IF=20mA Min. ~ Typ. |
|----------------|---------------|----------------|---|---------------------|
| COMMON CATHODE | COMMON ANODE | | | |
| CM3 - 0561200 | CM3 - 0562200 | Green |  | 0.80 - 2.40 |
| CM3 - 0561300 | CM3 - 0562300 | Orange |  | 0.80 - 2.40 |
| CM3 - 0561400 | CM3 - 0562400 | Gap-Red |  | 0.32 - 0.95 |
| CM3 - 0561500 | CM3 - 0562500 | Hi-Effi |  | 0.80 - 2.40 |
| CM3 - 0561600 | CM3 - 0562600 | Yellow |  | 0.80 - 2.40 |
| CM3 - 0561L00 | CM3 - 0562L00 | GaAlAs Red |  | 2.40 - 6.00 |
| CM3 - 0561G00 | CM3 - 0562G00 | SB/Green |  | 1.70 - 4.80 |

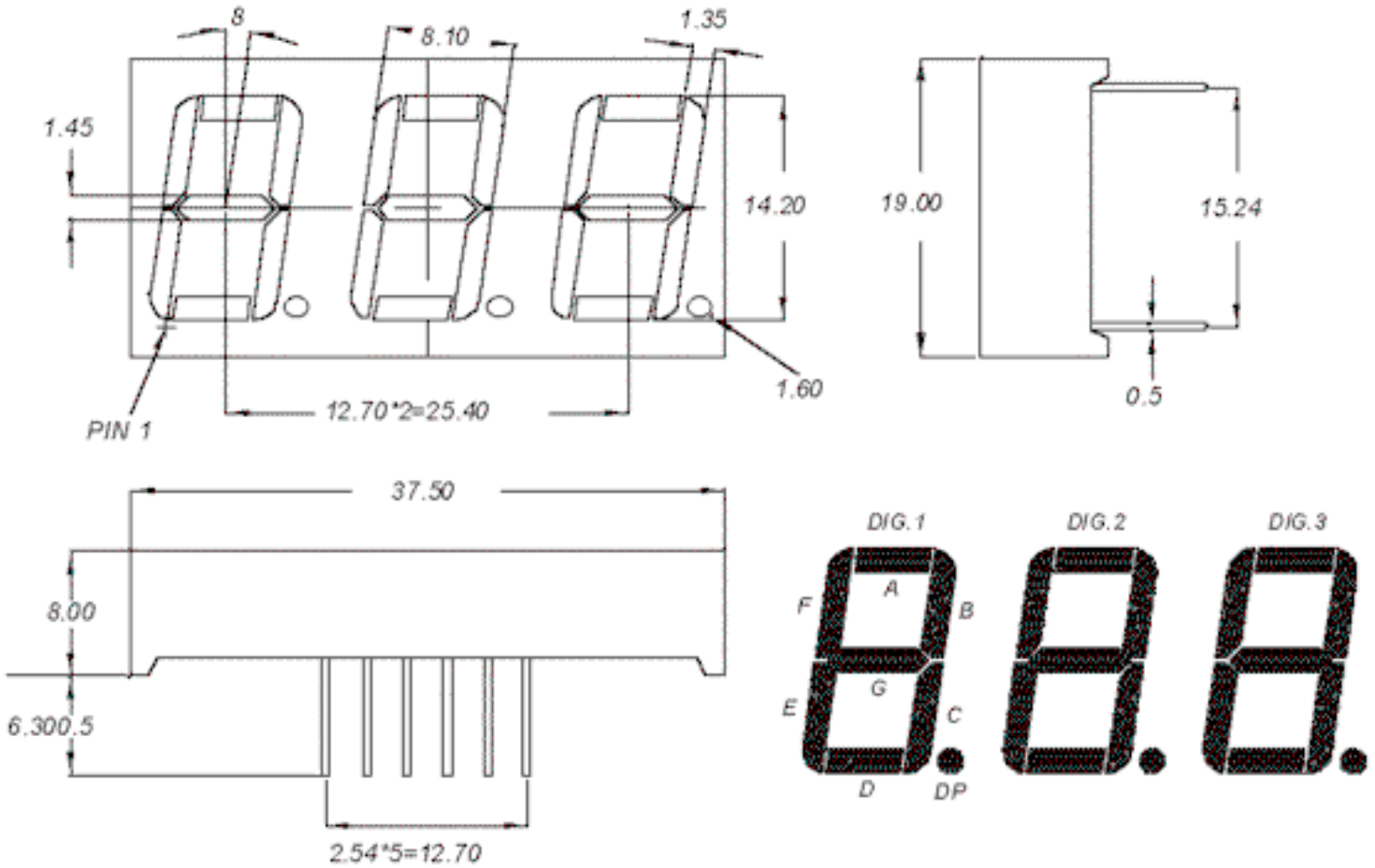
LED DISPLAYS

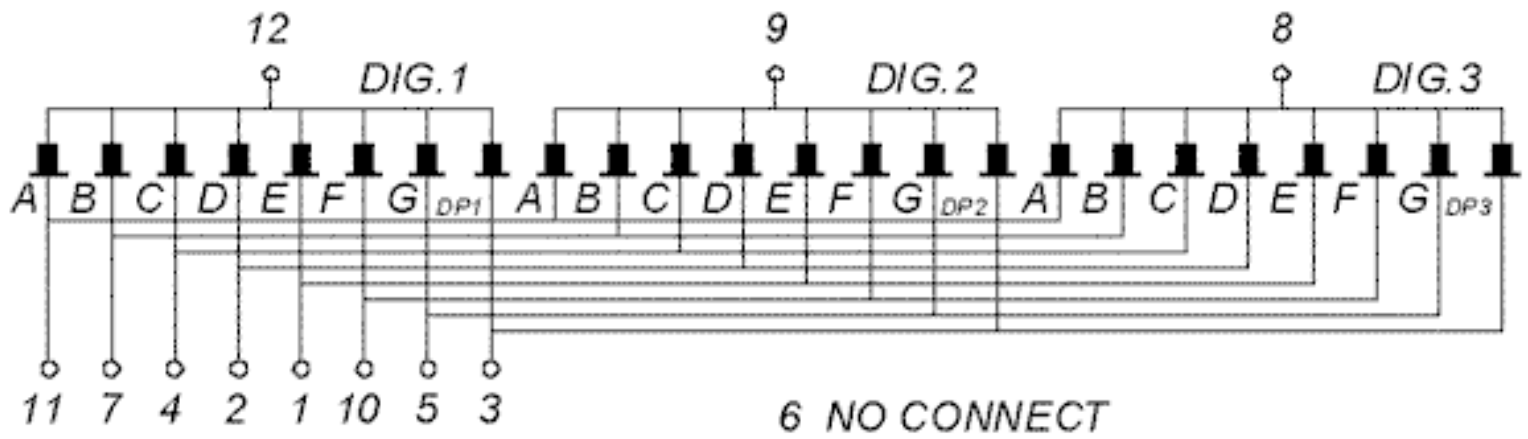
U.S.Electronics Inc.

Ph:(314)423 7550

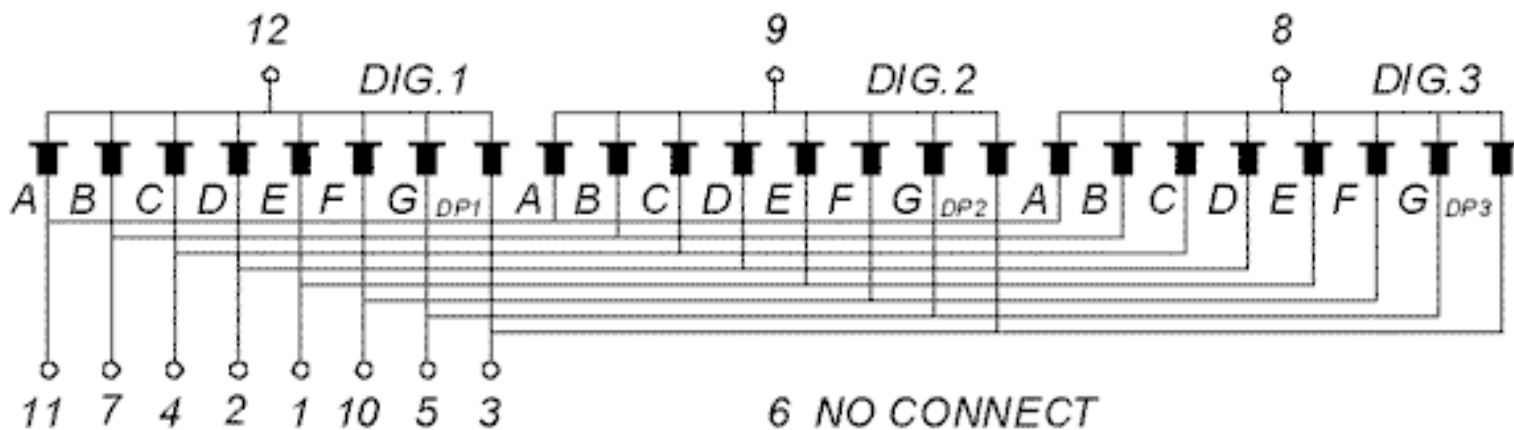
CM3 - 056XX00

Fax:(314)423 0585





1. CATHODE E
2. CATHODE D
3. CATHODE DP1, DP2, DP3
4. CATHODE C
5. CATHODE G
6. NO CONNECT
7. CATHODE B
8. COMMON ANODE DIG.3
9. COMMON ANODE DIG.2
10. CATHODE F
11. CATHODE A
12. COMMON ANODE DIG. 1



1. ANODE E
2. ANODE D
3. ANODE DP1, DP2, DP3
4. ANODE C
5. ANODE G
6. NO CONNECT
7. ANODE B
8. COMMON CATHODE DIG.3
9. COMMON CATHODE DIG.2
10. ANODE F
11. ANODE A
12. COMMON CATHODE DIG.1

| Part Numbers | | Emitting Color | IF=20mA Min. ~ Typ. |
|----------------|---------------|----------------|---------------------|
| COMMON CATHODE | COMMON ANODE | | |
| CM3 - 0565200 | CM3 - 0566200 | Green | 0.80 - 2.40 |
| CM3 - 0565300 | CM3 - 0566300 | Orange | 0.80 - 2.40 |
| CM3 - 0565560 | CM3 - 0566560 | Gap-Red | 0.32 - 0.95 |
| CM3 - 0565500 | CM3 - 0566500 | Hi-Effi | 0.80 - 2.40 |
| CM3 - 0565600 | CM3 - 0566600 | Yellow | 0.80 - 2.40 |
| CM3 - 0565L00 | CM3 - 0566L00 | GaAlAs Red | 2.40 - 6.00 |
| CM3 - 0565G00 | CM3 - 0566G00 | SB/Green | 1.70 - 4.80 |

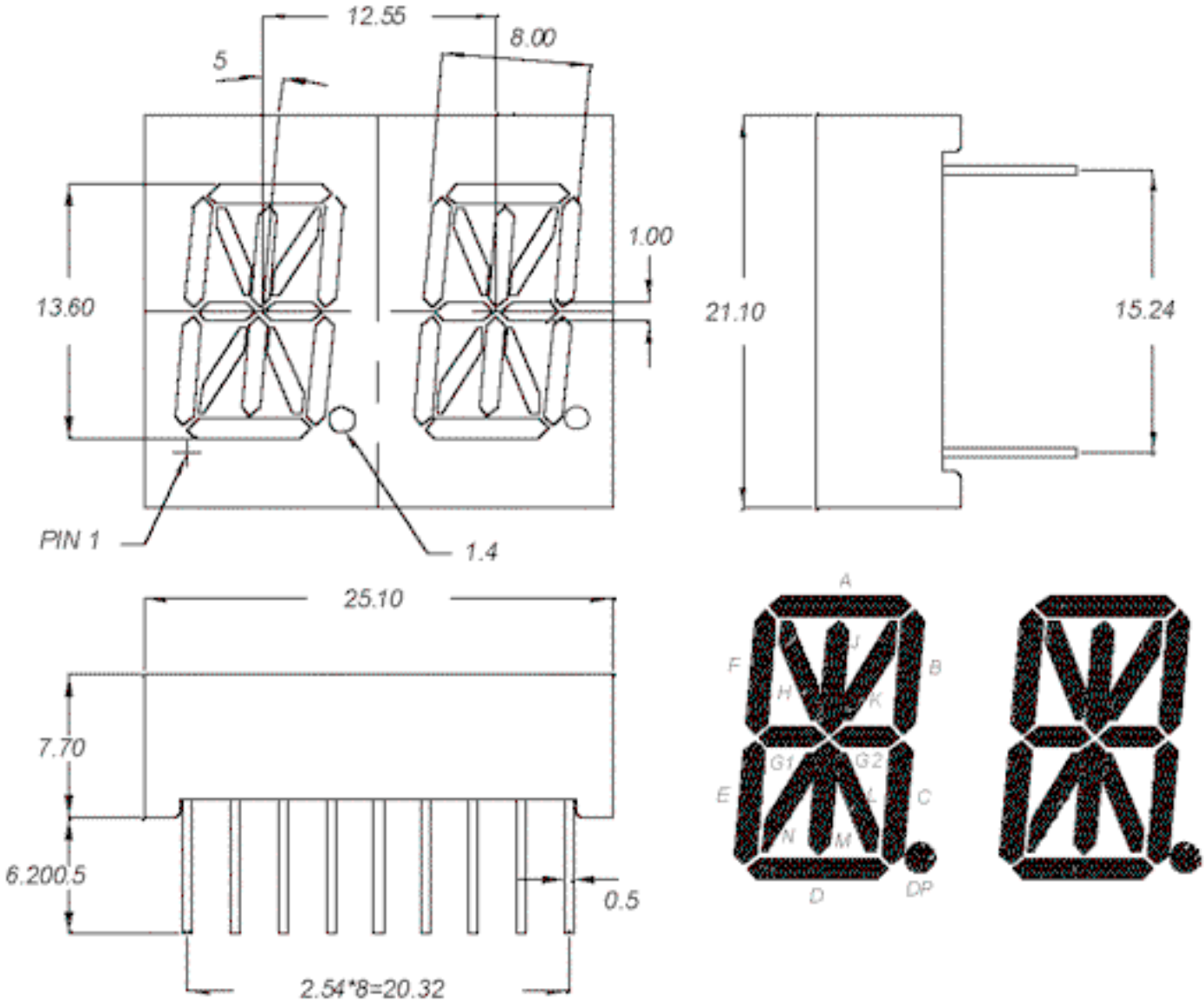
LED DISPLAYS

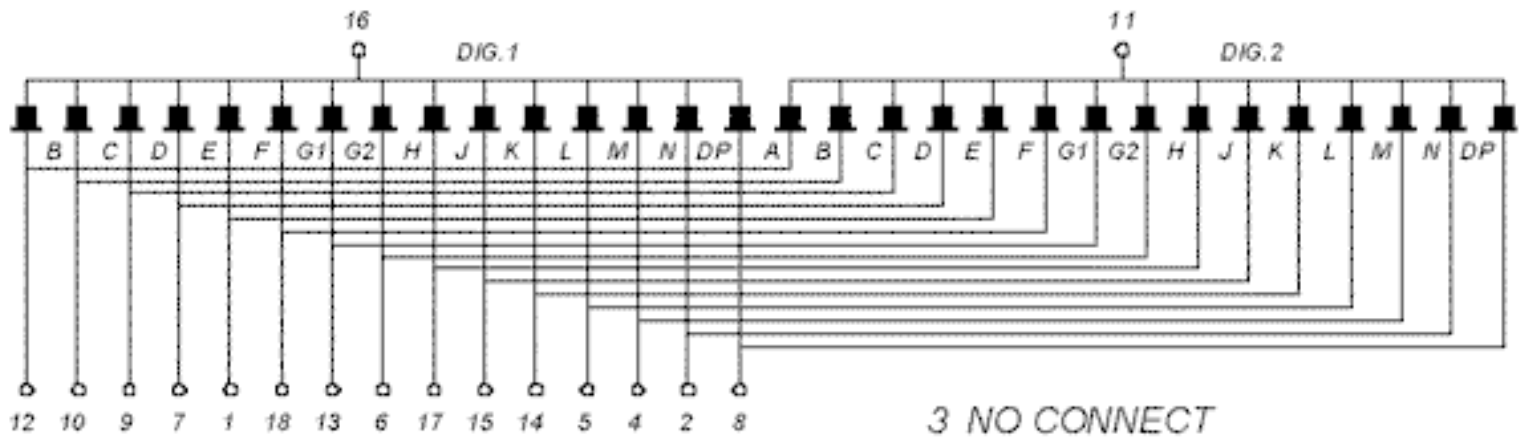
U.S.Electronics Inc.

Ph:(314)423 7550

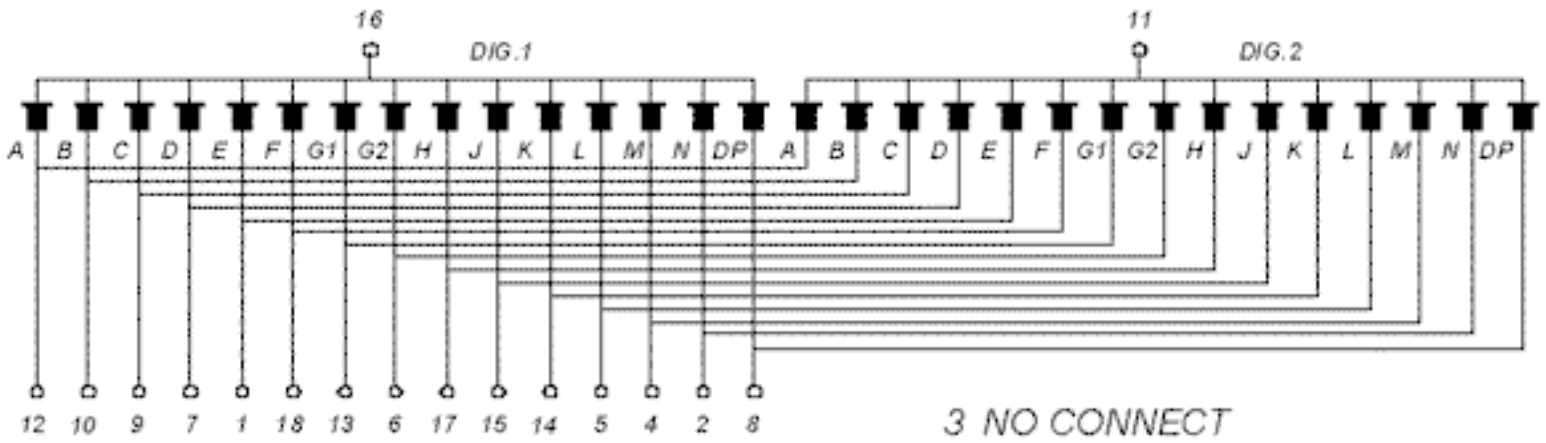
CMT - 054XX00

Fax:(314)423 0585





- | | |
|---------------|------------------------|
| 1. CATHODE E | 10. CATHODE B |
| 2. CATHODE N | 11. COMMON ANODE DIG.2 |
| 3 NO CONNECT | 12. CATHODE A |
| 4. CATHODE M | 13. CATHODE G1 |
| 5. CATHODE L | 14. CATHODE K |
| 6. CATHODE G2 | 15. CATHODE J |
| 7. CATHODE D | 16. COMMON ANODE DIG.1 |
| 8. CATHODE DP | 17. CATHODE H |
| 9. CATHODE C | 18. CATHODE F |



- | | |
|---------------|--------------------------|
| 1. ANODE E | 10. ANODE B |
| 2. ANODE N | 11. COMMON CATHODE DIG.2 |
| 3. NO CONNECT | 12. ANODE A |
| 4. ANODE M | 13. ANODE G1 |
| 5. ANODE L | 14. ANODE K |
| 6. ANODE G2 | 15. ANODE J |
| 7. ANODE D | 16. COMMON CATHODE DIG.1 |
| 8. ANODE DP | 17. ANODE H |
| 9. ANODE C | 18. ANODE F |

| Part Numbers | | Emitting Color | IF=20mA Min. ~ Typ. |
|----------------|---------------|----------------|---------------------|
| COMMON CATHODE | COMMON ANODE | | |
| CMT - 0545200 | CMT - 0546200 | Green | 0.50 - 1.80 |
| CMT - 0545300 | CMT - 0546300 | Orange | 0.50 - 1.80 |
| CMT - 0545400 | CMT - 0546400 | Gap-Red | 0.35 - 0.75 |
| CMT - 0545500 | CMT - 0546500 | Hi-Effi | 0.50 - 1.80 |
| CMT - 0545600 | CMT - 0546600 | Yellow | 0.50 - 1.80 |
| CMT - 0545L00 | CMT - 0546L00 | GaAlAs Red | 1.80 - 4.50 |
| CMT - 0545G00 | CMT - 0546G00 | SB/Green | 1.40 - 3.60 |

LED DISPLAYS

U.S.Electronics Inc.**Ph:(314)423 7550****Dot Matrix LED Displays :****Fax:(314)423 0585**

| | Single Color Displays | Multi Color Displays |
|---------------------------|-----------------------------------|-----------------------------------|
| 4 x 4 Dot Matrix : | 2.0" H x 2.0" W x 0.34" D | 2.0" H x 2.0" W x 0.34" D |
| | 4.25" H x 4.25" W x 0.67" D | 4.25" H x 4.25" W x 0.67" D |
| 5 x 7 Dot Matrix : | <u>0.7" H x 0.5" W x 0.25" D</u> | 0.7" H x 0.5" W x 0.25" D |
| | 1.09" H x 0.783" W x 0.25" D | 1.09" H x 0.783" W x 0.25" D |
| | <u>1.25" H x 0.9" W x 0.31" D</u> | <u>1.25" H x 0.9" W x 0.31" D</u> |
| | <u>1.5" H x 0.9" W x 0.31" D</u> | 1.5" H x 0.9" W x 0.31" D |
| | <u>2.1" H x 1.5" W x 0.34" D</u> | 2.1" H x 1.5" W x 0.34" D |
| | 3.2" H x 2.2" W x 0.36" D | 3.2" H x 2.2" W x 0.36" D |
| | 4.2" H x 3.0" W x 0.51" D | 4.2" H x 3.0" W x 0.51" D |
| 5 x 8 Dot Matrix: | 1.5" H x 0.9" W x 0.31" D | 1.5" H x 0.9" W x 0.31" D |
| | 2.4" H x 1.5" W x 0.35" D | 2.4" H x 1.5" W x 0.35" D |
| 8 x 8 Dot Matrix: | 1.25" H x 1.25" W x 0.31" D | 1.25" H x 1.25" W x 0.31" D |
| | 1.50" H x 1.5" W x 0.40" D | 1.50" H x 1.5" W x 0.40" D |
| | 1.9" H x 1.9" W x 0.35" D | 1.9" H x 1.9" W x 0.35" D |
| | 2.40" H x 2.4" W x 0.36" D | 2.40" H x 2.4" W x 0.36" D |
| | 3.57" H x 2.2" W x 0.36" D | 3.57" H x 2.2" W x 0.36" D |

Note: For the dimensions with no specifications shown please contact sales@us-electronics.com

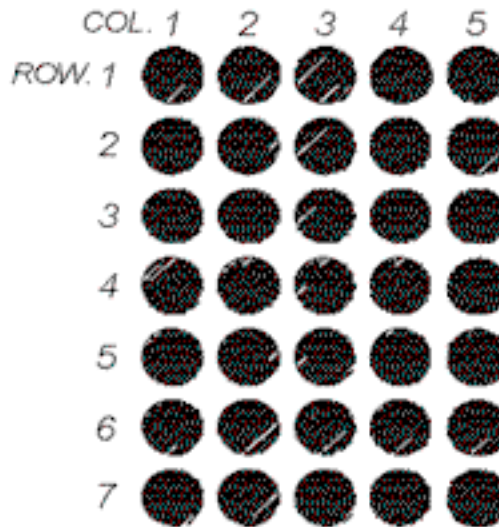
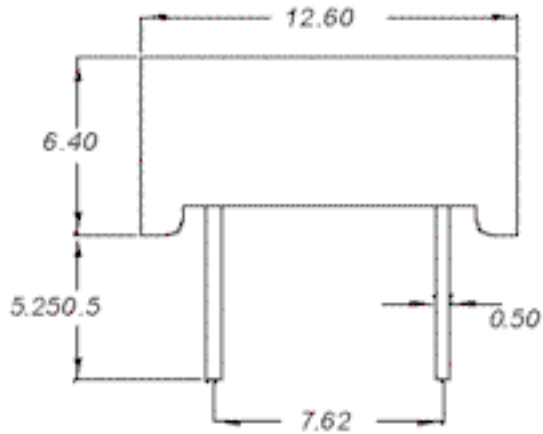
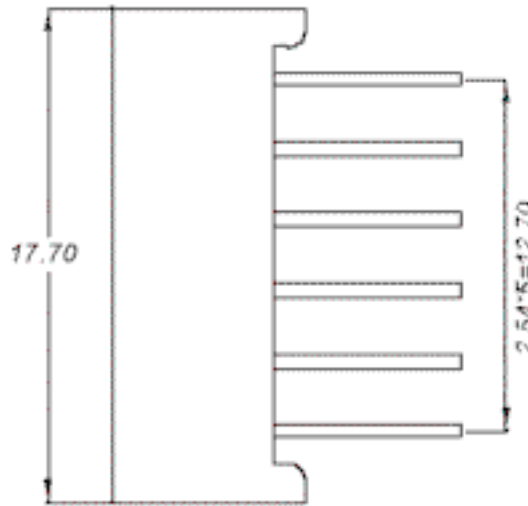
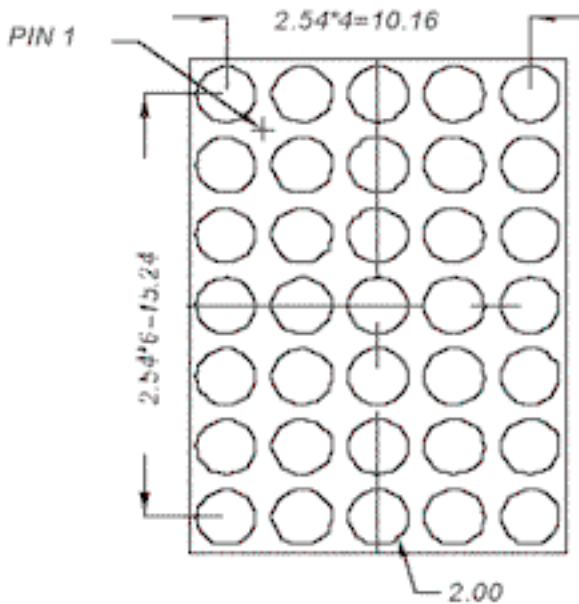
LED DISPLAYS

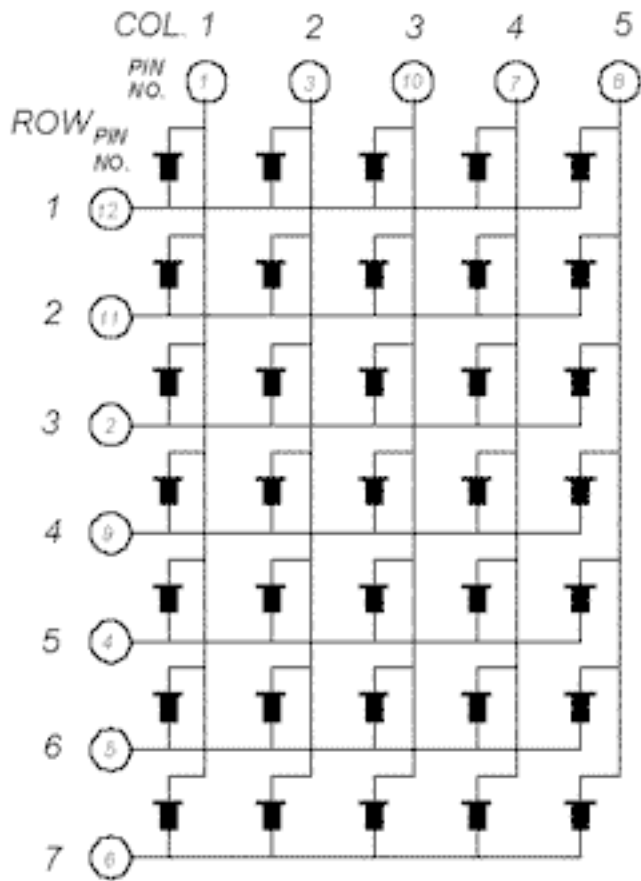
U.S.Electronics Inc.

Ph:(314)423 7550

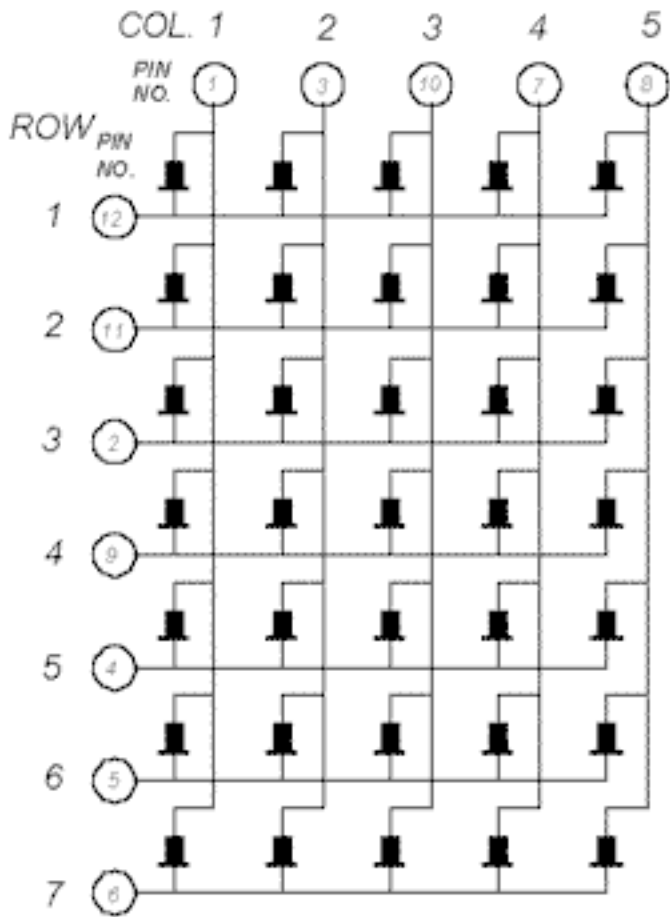
CMD - 157XX00

Fax:(314)423 0585





1. CATHODE COLUMN 1
2. ANODE ROW 3
3. CATHODE COLUMN 2
4. ANODE ROW 5
5. ANODE ROW 6
6. ANODE ROW 7
7. CATHODE COLUMN 4
8. CATHODE COLUMN 5
9. ANODE ROW 4
10. CATHODE COLUMN 3
11. ANODE ROW 2
12. ANODE ROW 1



- 1. ANODE COLUMN 1
- 2. CATHODE ROW 3
- 3. ANODE COLUMN 2
- 4. CATHODE ROW 5
- 5. CATHODE ROW 6
- 6. CATHODE ROW 7
- 7. ANODE COLUMN 4
- 8. ANODE COLUMN 5
- 9. CATHODE ROW 4
- 10. ANODE COLUMN 3
- 11. CATHODE ROW 2
- 12. CATHODE ROW 1

| Part Numbers | | Emitting Color | IF=20mA Min. ~ Typ. |
|----------------|---------------|----------------|---------------------|
| COMMON CATHODE | COMMON ANODE | | |
| CMD - 1571200 | CMD - 1572200 | Green | 0.80 - 2.00 |
| CMD - 1571300 | CMD - 1572300 | Orange | 0.80 - 2.00 |
| CMD - 1571400 | CMD - 1572400 | Gap-Red | --- |
| CMD - 1571500 | CMD - 1572500 | Hi-Effi | 0.80 - 2.00 |
| CMD - 1571600 | CMD - 1572600 | Yellow | --- |
| CMD - 1571L00 | CMD - 1572L00 | GaAlAs Red | 2.00 - 5.00 |
| CMD - 1571G00 | CMD - 1572G00 | SB/Green | 1.60 - 4.00 |

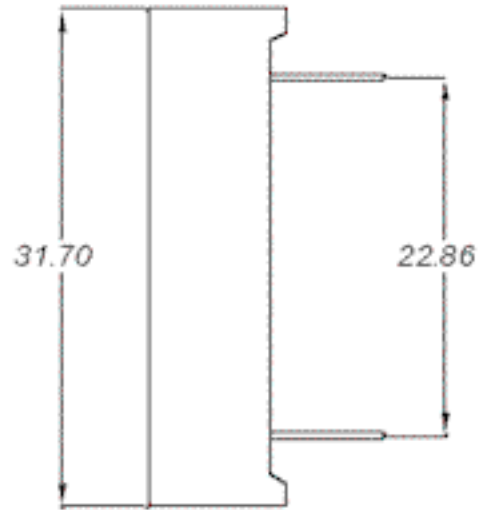
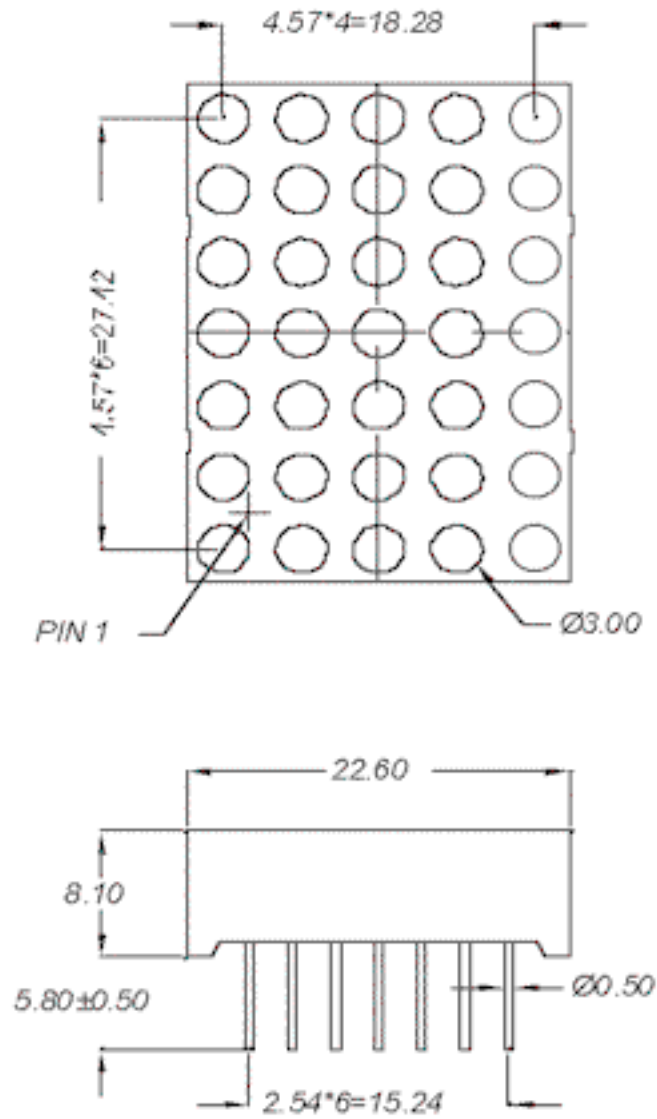
LED DISPLAYS

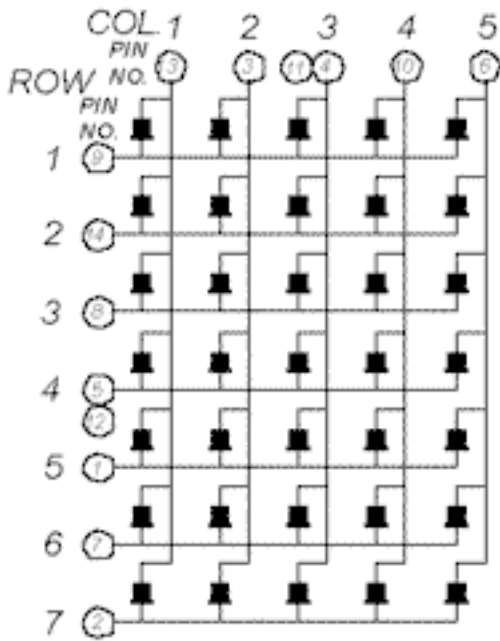
U.S.Electronics Inc.

Ph:(314)423 7550

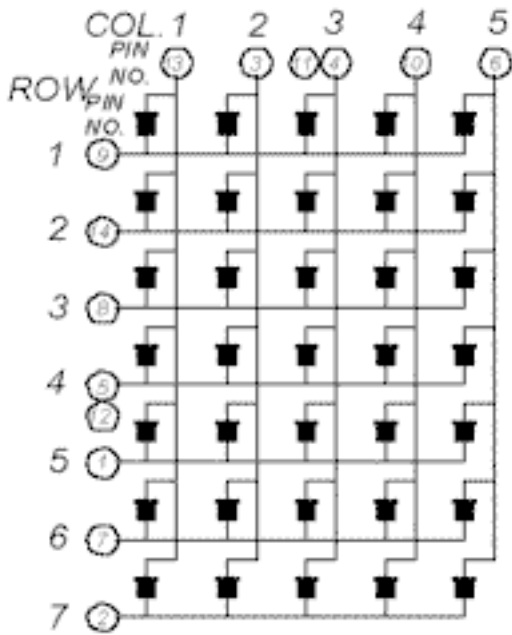
CMD - 357XX0B

Fax:(314)423 0585










1. CATHODE ROW 5
2. CATHODE ROW 7
3. ANODE COLUMN 2
4. ANODE COLUMN 3
5. CATHODE ROW 4
6. ANODE COLUMN 5
7. CATHODE ROW 6
8. CATHODE ROW 3
9. CATHODE ROW 1
10. ANODE COLUMN 4
11. ANODE COLUMN 3
12. CATHODE ROW 4
13. ANODE COLUMN 1
14. CATHODE ROW 2



1. ANODE ROW 5
2. ANODE ROW 7
3. CATHODE COLUMN 2
4. CATHODE COLUMN 3
5. ANODE ROW 4
6. CATHODE COLUMN 5
7. ANODE ROW 6
8. ANODE ROW 3
9. ANODE ROW 1
10. CATHODE COLUMN 4
11. CATHODE COLUMN 3
12. ANODE ROW 4
13. CATHODE COLUMN 1
14. ANODE ROW 2

| Part Numbers | | Emitting Color | IF=20mA Min. ~ Typ. |
|----------------|---------------|----------------|---------------------|
| COMMON CATHODE | COMMON ANODE | | |
| CMD - 357120B | CMD - 357220B | Green | 1.78 - 4.00 |
| CMD - 357130B | CMD - 357230B | Orange | 1.78 - 4.00 |

| | | | | |
|---------------|---------------|------------|---|-------------|
| CMD - 357140B | CMD - 357240B | Gap-Red |  | 0.72 - 1.80 |
| CMD - 357150B | CMD - 357250B | Hi-Effi |  | 1.78 - 4.00 |
| CMD - 357160B | CMD - 357260B | Yellow |  | 1.78 - 3.60 |
| CMD - 3571L0B | CMD - 3572L0B | GaAlAs Red |  | 8.00 - 12.0 |
| CMD - 3571G0B | CMD - 3572G0B | SB/Green |  | 3.20 - 8.00 |

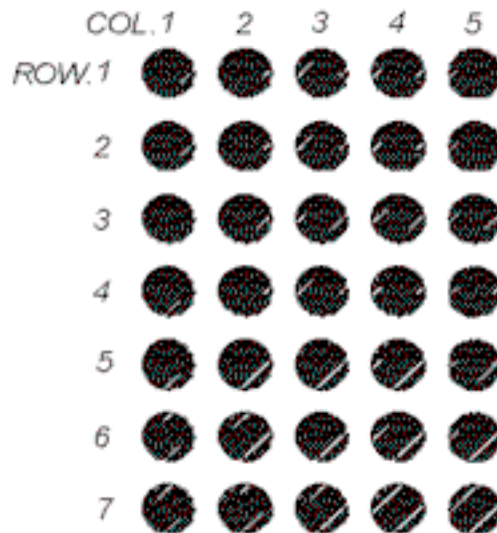
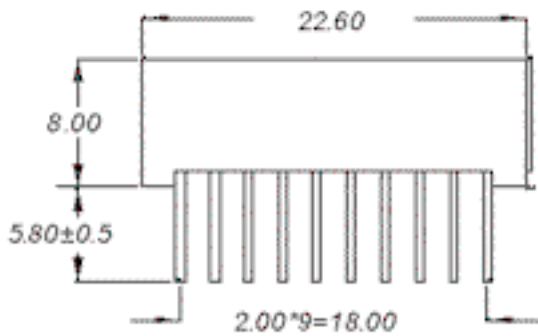
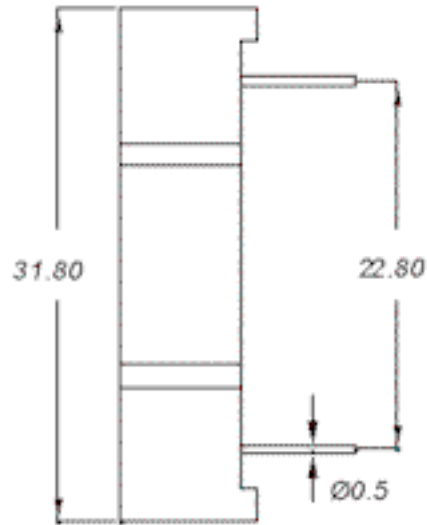
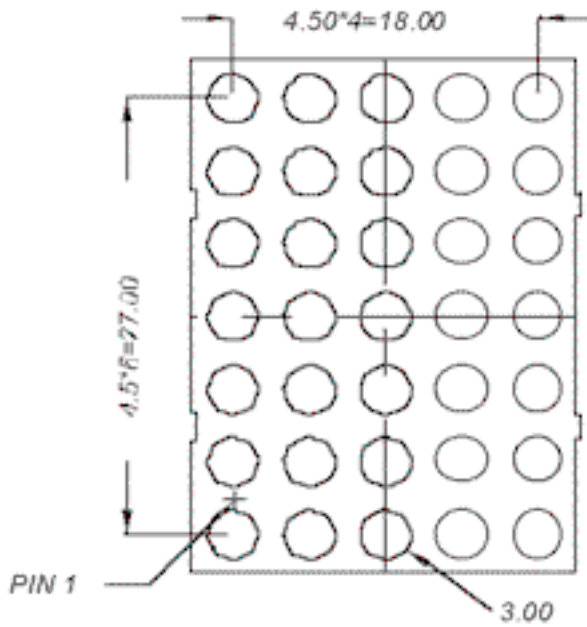
LED DISPLAYS

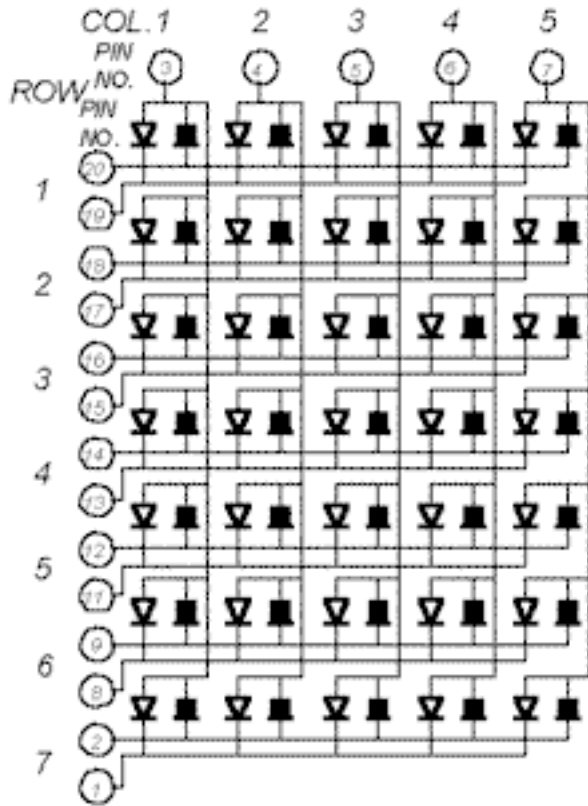
U.S.Electronics Inc.

Ph:(314)423 7550



CMD - 357XX00

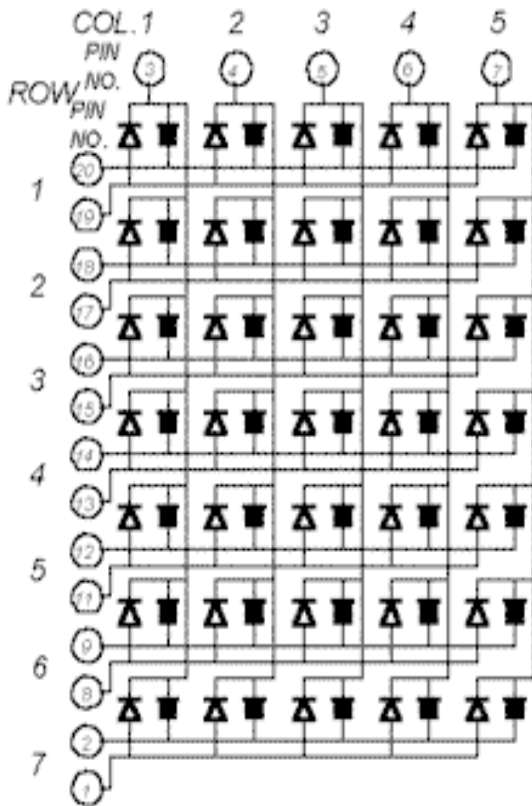
Fax:(314)423 0585







- 1. CATHODE ROW 7G
- 2. CATHODE ROW 7
- 3. ANODE COLUMN 1
- 4. ANODE COLUMN 2
- 5. ANODE COLUMN 3
- 6. ANODE COLUMN 4
- 7. ANODE COLUMN 5
- 8. CATHODE ROW 6G
- 9. CATHODE ROW 6
- 10. NO CONNECT
- 11. CATHODE ROW 5G
- 12. CATHODE ROW 5
- 13. CATHODE ROW 4G
- 14. CATHODE ROW 4
- 15. CATHODE ROW 3G
- 16. CATHODE ROW 3
- 17. CATHODE ROW 2G
- 18. CATHODE ROW 2
- 19. CATHODE ROW 1G
- 20. CATHODE ROW 1

 GREEN
 ORANGE
 10 NO CONNECT



1. ANODE ROW 7G
2. ANODE ROW 7
3. CATHODE COLUMN 1
4. CATHODE COLUMN 2
5. CATHODE COLUMN 3
6. CATHODE COLUMN 4
7. CATHODE COLUMN 5
8. ANODE ROW 6G
9. ANODE ROW 6
10. NO CONNECT
11. ANODE ROW 5G
12. ANODE ROW 5
13. ANODE ROW 4G
14. ANODE ROW 4
15. ANODE ROW 3G
16. ANODE ROW 3
17. ANODE ROW 2G
18. ANODE ROW 2
19. ANODE ROW 1G
20. ANODE ROW 1

 GREEN
 ORANGE
 10 NO CONNECT

| Part Numbers | | Emitting Color | IF=20mA Min. ~ Typ. |
|----------------|---------------|----------------|---------------------|
| COMMON CATHODE | COMMON ANODE | | |
| CMD - 3571320 | CMD - 3572320 | Orange | 1.78 - 4.00 |
| | | Green | 1.78 - 4.00 |
| CMD - 3571L20 | CMD - 3572L20 | GaAlAs Red | 8.00 - 12.0 |
| | | Green | 1.78 - 4.00 |
| CMD - 3571LG0 | CMD - 3572G0 | GaAlAs Red | 8.00 - 12.0 |
| | | SB/Green | 3.20 - 8.00 |

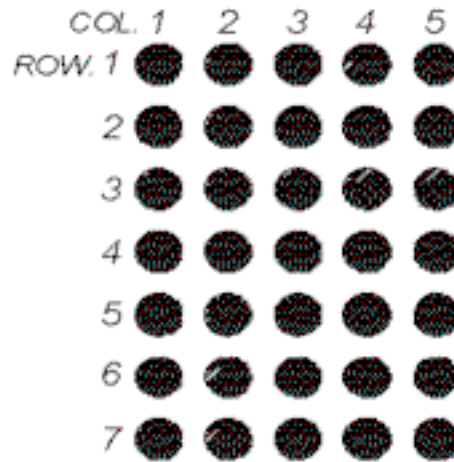
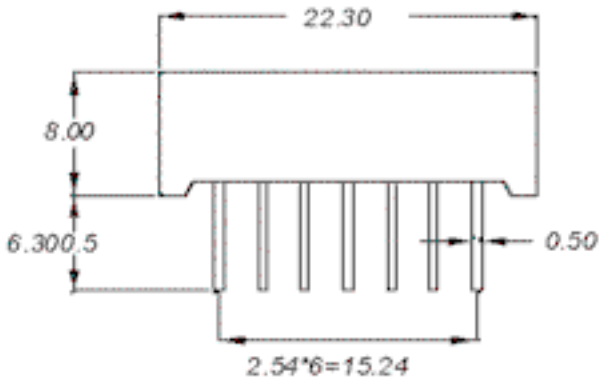
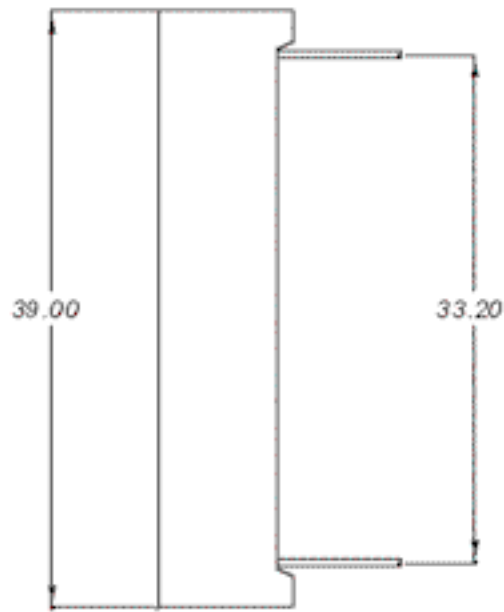
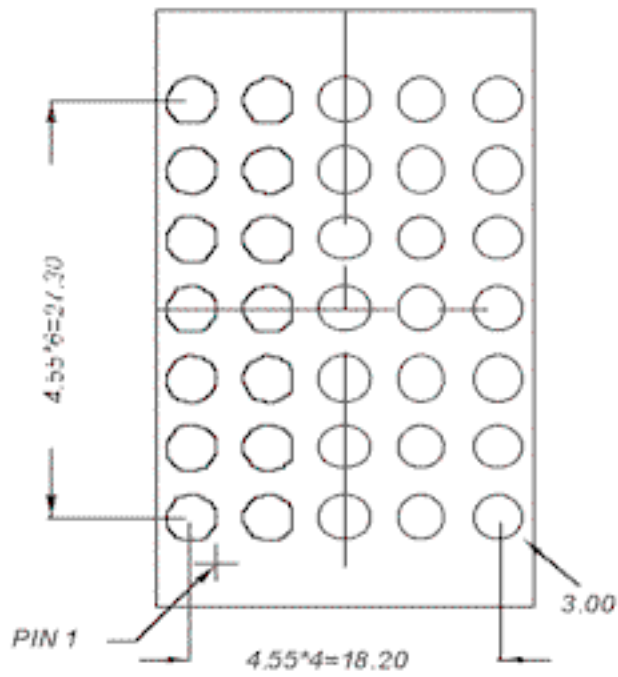
LED DISPLAYS

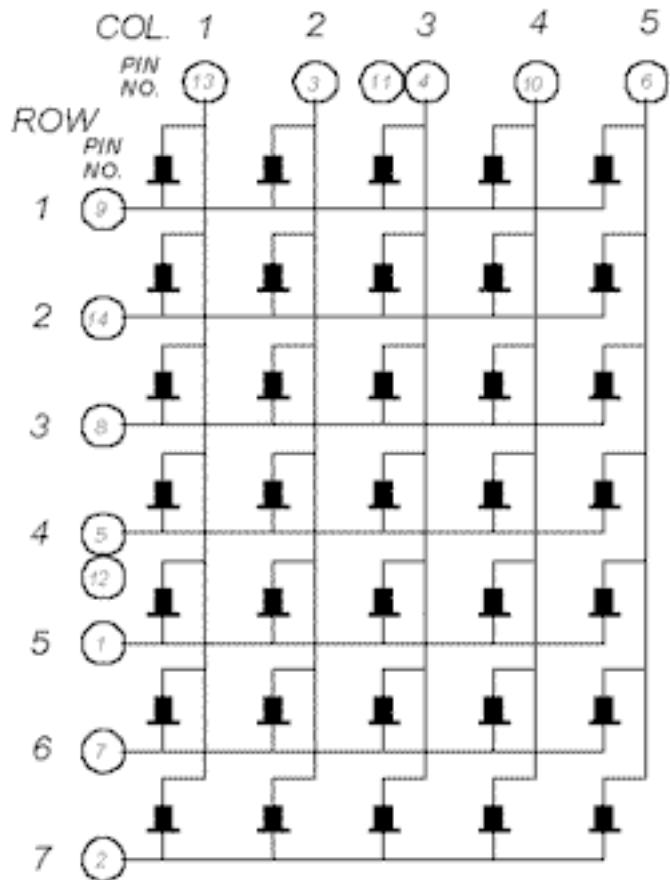
U.S.Electronics Inc.

Ph:(314)423 7550

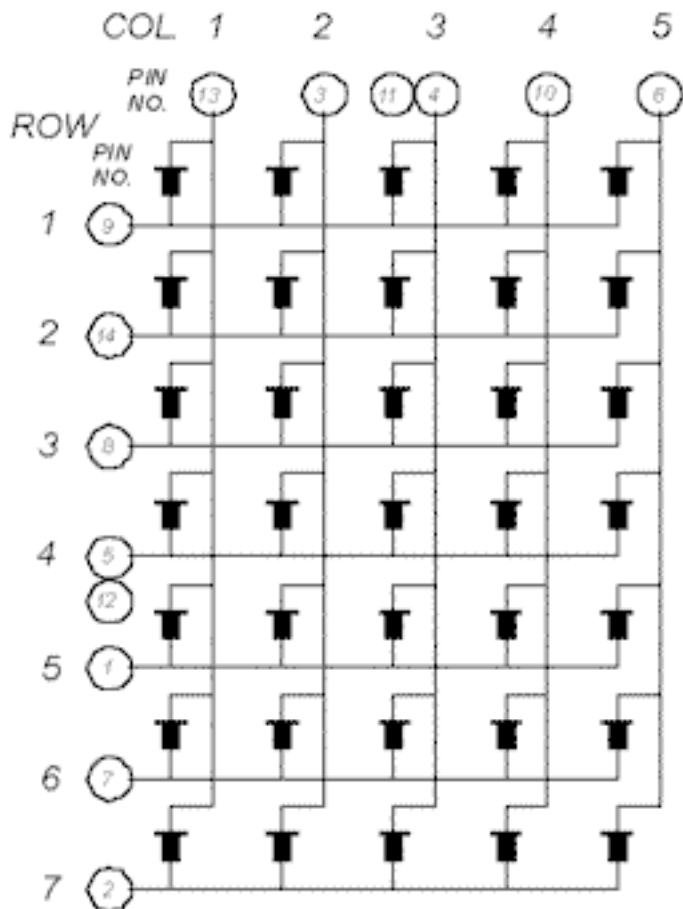
CMD - 357XX00

Fax:(314)423 0585





1. CATHODE ROW 5
2. CATHODE ROW 7
3. ANODE COLUMN 2
4. ANODE COLUMN 3
5. CATHODE ROW 4
6. ANODE COLUMN 5
7. CATHODE ROW 6
8. CATHODE ROW 3
9. CATHODE ROW 1
10. ANODE COLUMN 4
11. ANODE COLUMN 3
12. CATHODE ROW 4
13. ANODE COLUMN 1
14. CATHODE ROW 2



1. ANODE ROW 5
2. ANODE ROW 7
3. CATHODE COLUMN 2
4. CATHODE COLUMN 3
5. ANODE ROW 4
6. CATHODE COLUMN 5
7. ANODE ROW 6
8. ANODE ROW 3
9. ANODE ROW 1
10. CATHODE COLUMN 4
11. CATHODE COLUMN 3
12. ANODE ROW 4
13. CATHODE COLUMN 1
14. ANODE ROW 2

| Part Numbers | | Emitting Color | IF=20mA Min. ~ Typ. |
|----------------|---------------|----------------|---------------------|
| COMMON CATHODE | COMMON ANODE | | |
| CMD - 3571200 | CMD - 3572200 | Green | 1.78 - 4.00 |
| CMD - 3571300 | CMD - 3572300 | Orange | 1.78 - 4.00 |
| CMD - 3571400 | CMD - 3572400 | Gap-Red | 0.72 - 1.80 |
| CMD - 3571500 | CMD - 3572500 | Hi-Effi | 1.78 - 4.00 |
| CMD - 3571600 | CMD - 3572600 | Yellow | 1.78 - 3.60 |
| CMD - 3571L00 | CMD - 3572L00 | GaAlAs Red | 8.00 - 12.0 |
| CMD - 3571G00 | CMD - 3572G00 | SB/Green | 3.20 - 8.00 |

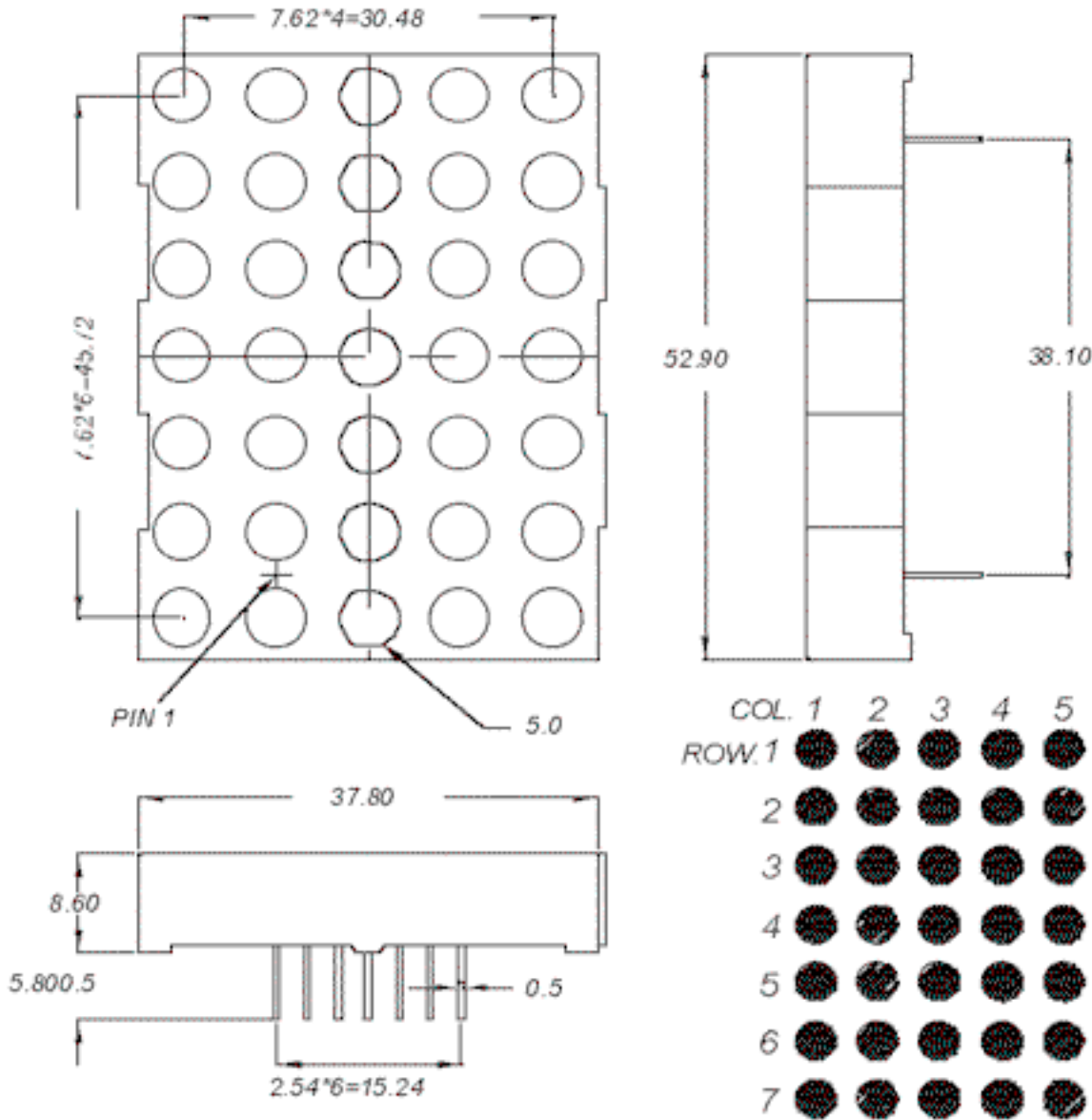
LED DISPLAYS

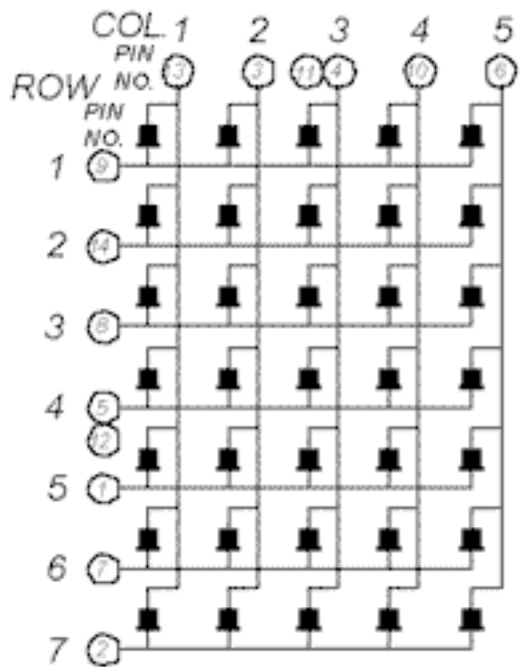
U.S.Electronics Inc.

Ph:(314)423 7550

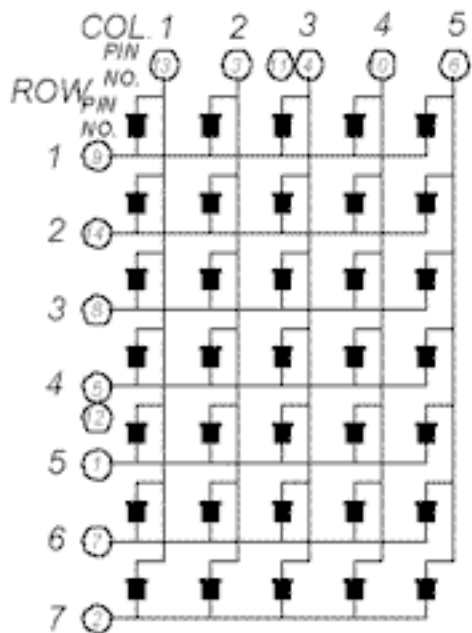
CMD - 557XX00

Fax:(314)423 0585












1. CATHODE ROW 5
2. CATHODE ROW 7
3. ANODE COLUMN 2
4. ANODE COLUMN 3
5. CATHODE ROW 4
6. ANODE COLUMN 5
7. CATHODE ROW 6
8. CATHODE ROW 3
9. CATHODE ROW 1
10. ANODE COLUMN 4
11. ANODE COLUMN 3
12. CATHODE ROW 4
13. ANODE COLUMN 1
14. CATHODE ROW 2



1. ANODE ROW 5
2. ANODE ROW 7
3. CATHODE COLUMN 2
4. CATHODE COLUMN 3
5. ANODE ROW 4
6. CATHODE COLUMN 5
7. ANODE ROW 6
8. ANODE ROW 3
9. ANODE ROW 1
10. CATHODE COLUMN 4
11. CATHODE COLUMN 3
12. ANODE ROW 4
13. CATHODE COLUMN 1
14. ANODE ROW 2

| Part Numbers | | Emitting Color | | IF=20mA Min. ~ Typ. |
|----------------|---------------|----------------|--|---------------------|
| COMMON CATHODE | COMMON ANODE | | | |
| CMD - 5571200 | CMD - 5572200 | Green |  | 1.92 - 4.80 |
| CMD - 5571300 | CMD - 5572300 | Orange |  | 1.92 - 4.80 |

| | | | | |
|---------------|---------------|------------|--|-------------|
| CMD - 5571400 | CMD - 5572400 | Gap-Red |  | 0.80 - 2.00 |
| CMD - 5571500 | CMD - 5572500 | Hi-Effi |  | 1.92 - 4.80 |
| CMD - 5571600 | CMD - 5572600 | Yellow |  | 1.92 - 4.50 |
| CMD - 5571L00 | CMD - 5572L00 | GaAlAs Red |  | 6.00 - 12.0 |
| CMD - 5571G00 | CMD - 5572G00 | SB/Green |  | 3.84 - 9.60 |

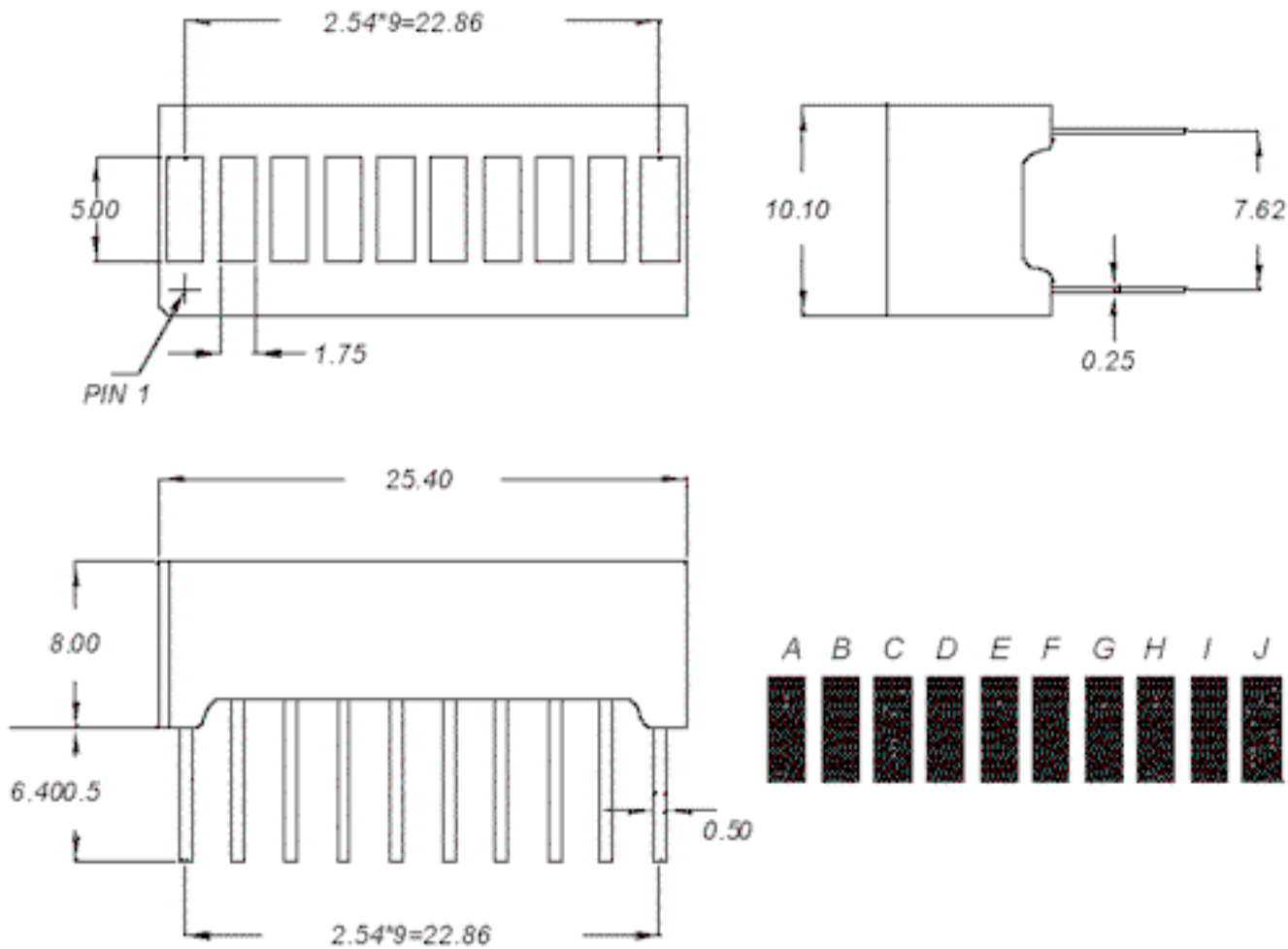
LED DISPLAYS

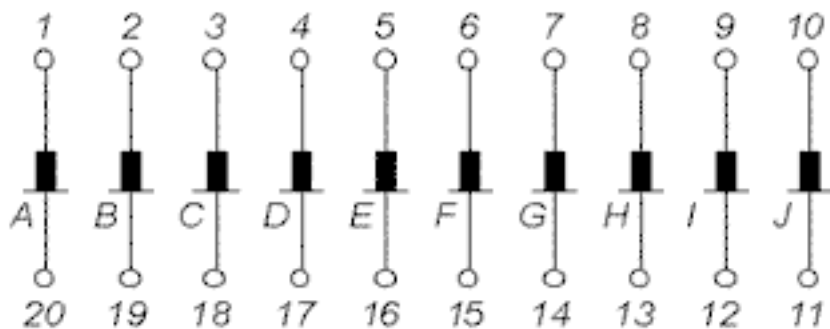
U.S.Electronics Inc.

Ph:(314)423 7550

CML - 100XX00

Fax:(314)423 0585





| | |
|------------|--------------|
| 1 ANODE A | 11 CATHODE J |
| 2 ANODE B | 12 CATHODE I |
| 3 ANODE C | 13 CATHODE H |
| 4 ANODE D | 14 CATHODE G |
| 5 ANODE E | 15 CATHODE F |
| 6 ANODE F | 16 CATHODE E |
| 7 ANODE G | 17 CATHODE D |
| 8 ANODE H | 18 CATHODE C |
| 9 ANODE I | 19 CATHODE B |
| 10 ANODE J | 20 CATHODE A |

| LIGHT BAR | Emitting Color | IF=20mA Min. ~ Typ. |
|---------------|----------------|---------------------------|
| CML - 1000200 | Green | 0.80 - 2.00 |
| CML - 1000300 | Orange | 0.80 - 2.00 |
| CML - 1000400 | Gap-Red | 0.30 - 0.70 |
| CML - 1000500 | Hi-Effi | 0.80 - 2.00 |
| CML - 1000600 | Yellow | 0.80 - 2.00 |
| CML - 1000L00 | GaAlAs Red | 2.50 - 5.00 |
| CML - 1000G00 | SB/Green | 1.60 - 4.00 |