

SMAT SERIES



The SMAT transducers are specifically developed to meet various requirements, such as loud sound pressure level, mounting methods, connection possibilities and dimensions. The transducers do not have a built-in oscillator. The drive frequency must be generated with electronics outside the transducer. Recommended drive circuits are described in this catalogue. Our transducers produce a highly reliable audible tone signal, giving either an extremely clear and penetrating tone or a soft sound for non-aggressive signals. They are available in five sizes: 13mm, 17mm, 21mm, 24mm and 30mm.

ADVANTAGES & APPLICATIONS

ADVANTAGES :

- Octagonal form
- Models with different pin pitches
- Light but solid construction
- Not fixed working frequency
- Easily mountable
- SMAT-13 and SMAT-17 for limited space applications
- SMD models with heat resistant labels for protection during re-flow soldering
- Automatic pick & place

APPLICATIONS :

- Alarms
- Gas & metal detectors
- Measuring & weighing equipment
- Medical instrumentation
- Timers & clocks
- Instrumentation & control systems
- Copiers
- Automobiles & trucks
- Games & toys
- Cash registers

SPECIFICATIONS

Model	SPL * (dB(A))	Frequency Range (Hz)	Capacitance (+/-30%) nF)	Operating voltage (VAC pp)	Weight (g)
SMAT-13	See graph	800-5000	7.8	0 to 30	1
SMAT-17	See graph	800-5000	17.5	0 to 30	2
SMAT-21	See graph	600-5000	12.4	0 to 30	2.5
SMAT-24	See graph	400-5000	18.6	0 to 30	4
SMAT-30	See graph	300-5000	25	0 to 30	5

Operating temperature	-20°C to +70°C
Storage temperature	-40°C to +85°C
Life time (@ 21°C)	See expected life time curve in addendum
Case material	ABS (UL rating: 94 HB) for pin-versions, SMAT-13/21/30 PBT (UL rating: 94 HB) for pin versions, SMAT-17/24 PPS (UL rating: 94 V0/5V) for SMD-versions, SMAT-13/17/21/24/30
Standard colour of case	Grey

* All measurements are made in free air @ 21°C @ 30 cm @10 Vpp (square wave). The test buzzer is soldered on a pcb board with dimensions of 24 cm x 11 cm.


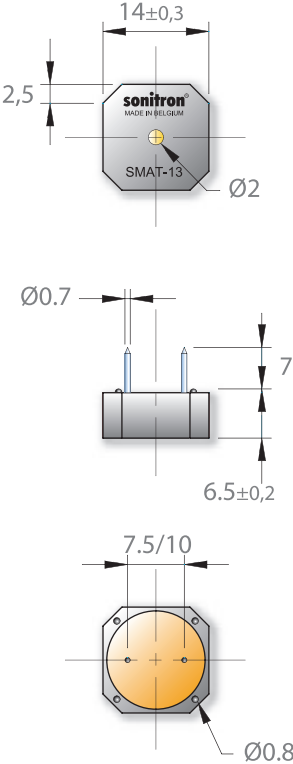
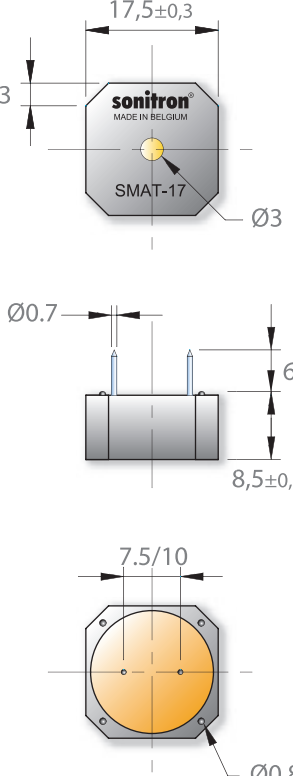
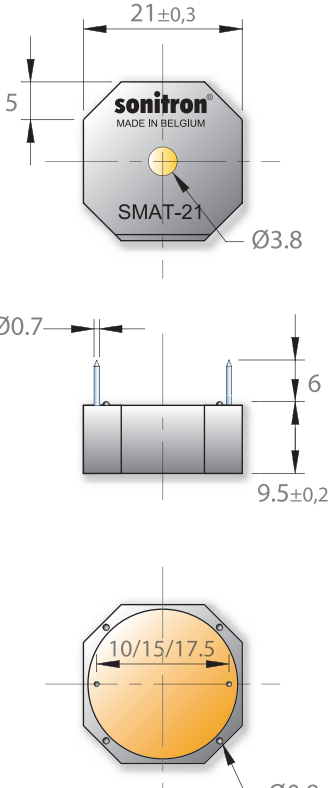
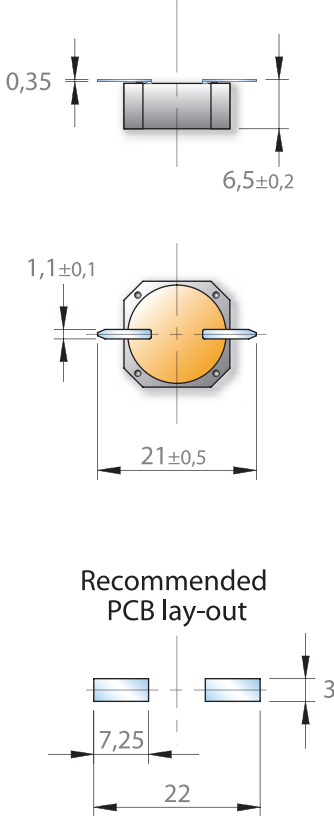
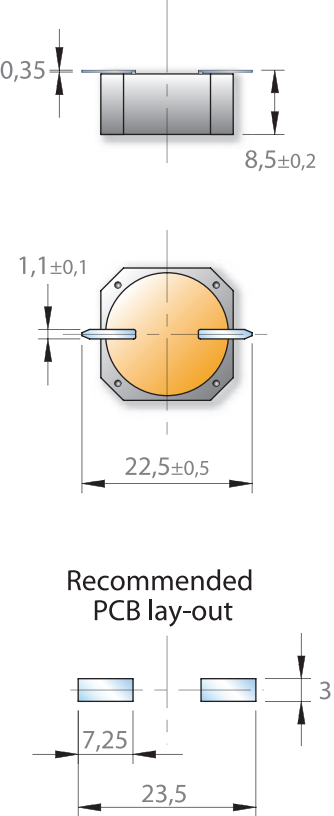
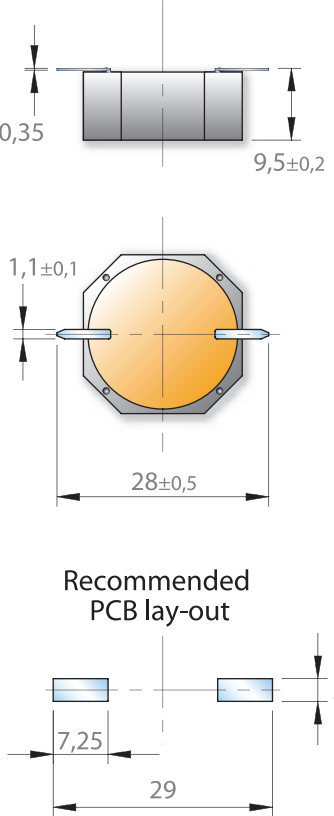
ELECTRICAL PARAMETERS

<p>Model</p> <p><i>Sound pressure vs. frequency</i></p>	<p>SMAT-13</p> <p>dB (A)</p> <p>kHz</p>	<p>SMAT-17</p> <p>dB (A)</p> <p>kHz</p>
<p>Model</p> <p><i>Sound pressure vs. frequency</i></p>	<p>SMAT-21</p> <p>dB (A)</p> <p>kHz</p>	<p>SMAT-24</p> <p>dB (A)</p> <p>kHz</p>
<p>Model</p> <p><i>Sound pressure vs. frequency</i></p>	<p>SMAT-30</p> <p>dB (A)</p> <p>kHz</p>	

Precision of frequency: +/- 15%
 Operating voltage: 10 Vpp
 (square wave)

All measurements are made @ 30 cm in free air @ 21°C.

DIMENSIONS (All dimensions are in mm)

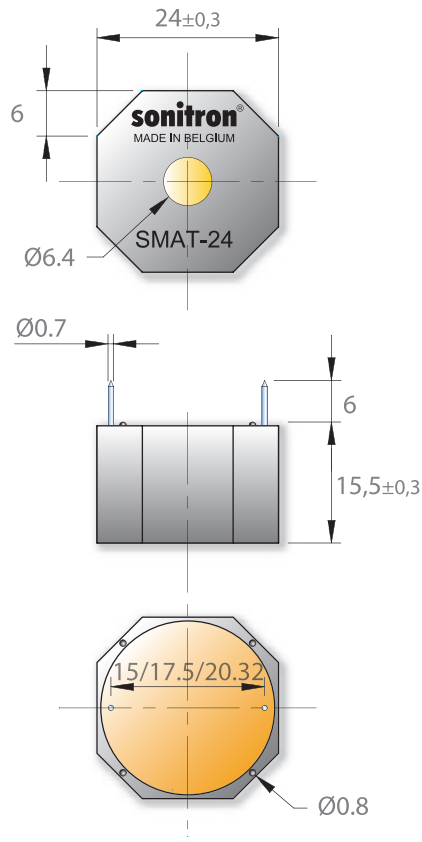
Pin version	SMAT-13	SMAT-17	SMAT-21
			
SMD version	 <p style="text-align: center;">Recommended PCB lay-out</p>	 <p style="text-align: center;">Recommended PCB lay-out</p>	 <p style="text-align: center;">Recommended PCB lay-out</p>

(All dimensions are in mm)

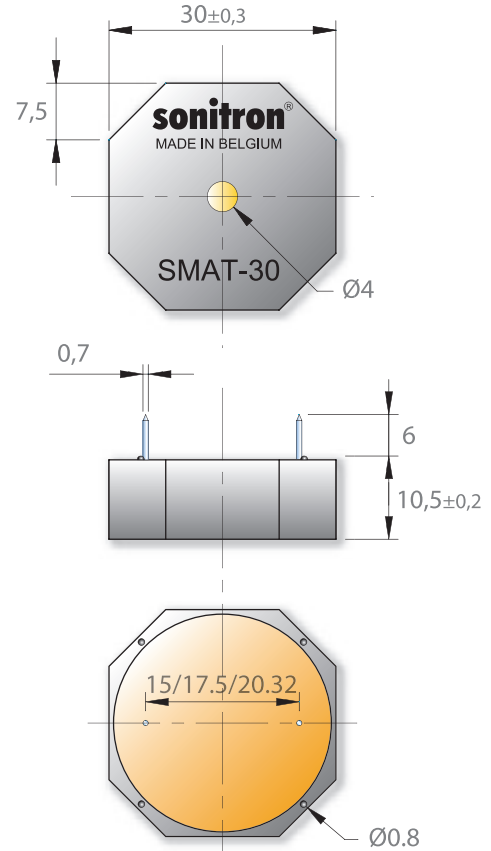
Pin version



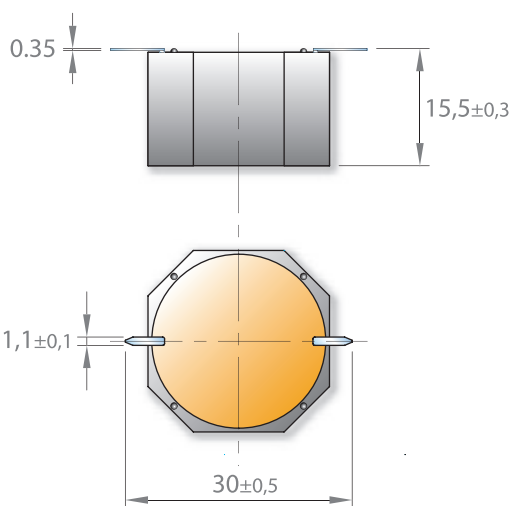
SMAT-24



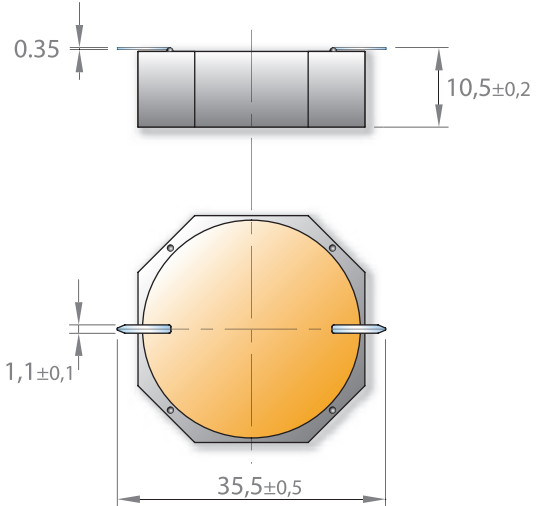
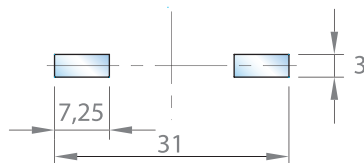
SMAT-30



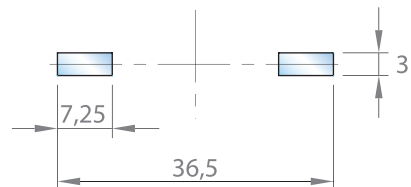
SMD version



Recommended PCB lay-out

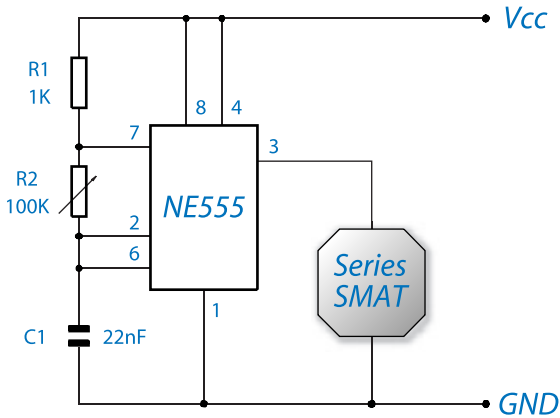


Recommended PCB lay-out

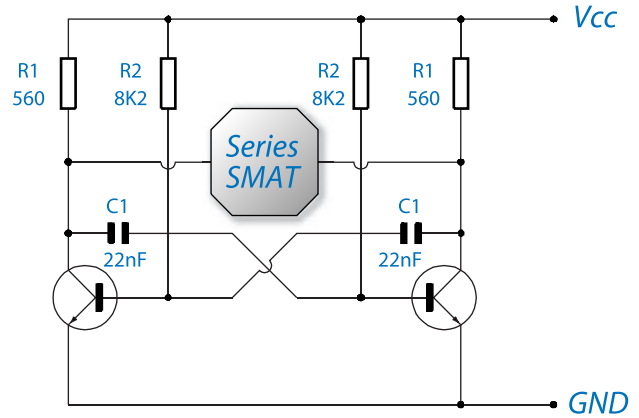


DRIVE CIRCUITS

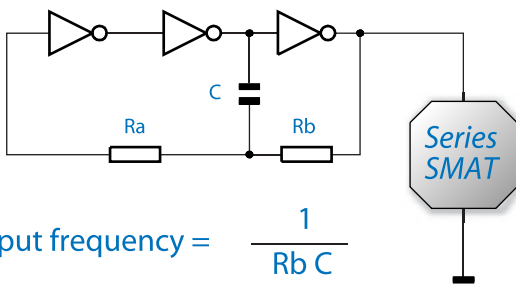
IC Oscillation Circuit



Multivibrator Circuit



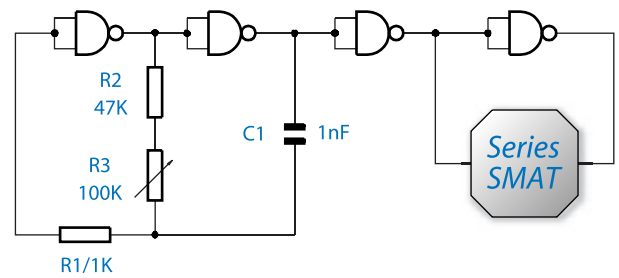
Inverter Oscillator



$$\text{Output frequency} = \frac{1}{R_b C}$$

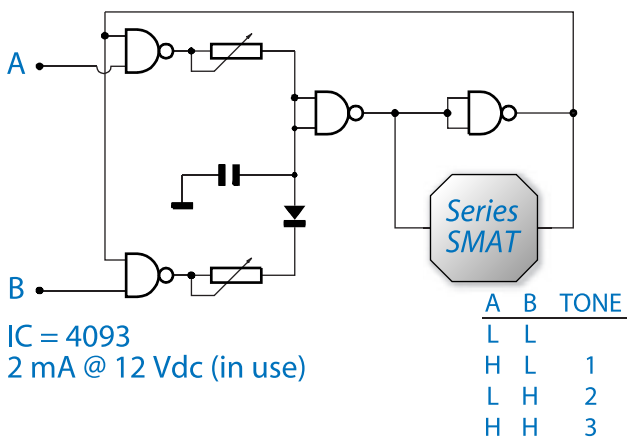
Inverters are CMOS 4049 or 4069

Nandgate Oscillator



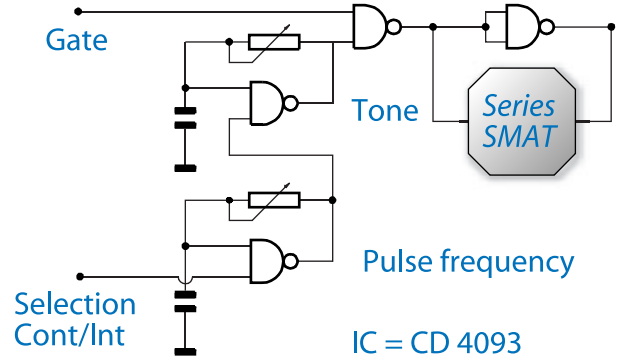
Nandgates are CMOS 4011A

5 Nandgate Oscillator - 3 tones



IC = 4093
2 mA @ 12 Vdc (in use)

Tone Generator - CMOS - Gate Multifunction



IC = CD 4093

When the transducers are used in a drive circuit at one single frequency, the designer should bear in mind that the precision of the frequency, as mentioned on the graph "sound pressure vs. Frequency" is +/- 15%. We therefore recommend to test the sound pressure level with the transducer connected to the final drive circuit.

PRODUCT CODIFICATION

SMA ↓ ↓ ↓ ↓ ↓	T ↓ ↓ ↓ ↓ ↓	13 17 21 24 30 ↓ ↓	P7.5 P10 P15 P17.5 P20.32 S ↓
Sonitron Multi- Application	Transducer	Square diameter (mm)	P: Pin distance (in mm) S: SMD terminals

LIST OF AVAILABLE PRODUCT TYPES

SMAT-13 P7.5 SMAT-13 P10 SMAT-13 S	SMAT-17 P7.5 SMAT-17 P10 SMAT-17 S	SMAT-21 P10 SMAT-21 P15 SMAT-21 P17.5 SMAT-21 S	SMAT-24 P10 SMAT-24 P15 SMAT-24 P17.5 SMAT-24 P20.32 SMAT-24 S	SMAT-30 P15 SMAT-30 P17.5 SMAT-30 P20.32 SMAT-30 S
--	--	--	--	---

HEAT PROTECTION & MODELS ON REQUEST

- A heat protection label** in capton material is glued on the SMD model of the SMAT buzzer. This enables the user to pick up the buzzer by vacuum. During the re-flow soldering process the heat shield label remains on the buzzer and must be removed after soldering. These heat protection labels are standard for all SMD buzzers.
- Wash tabs**
A wash tab can be glued on the sound-emitting hole of the buzzer avoiding water penetration into the cavity.
To order this option: add WASH TAB to the model number of the SMAT series.
- Acryl coating**
Models containing a protective acryl coated membrane are recommended for aggressive, humid or smoggy environment.
To order this option: add MC to the model number of the SMAT series.

PACKAGING

All models with pin terminals are put on a polystyrene board (245 L x 245 W) and sold in boxes with dimensions 250 L x 250 W x 125 H.

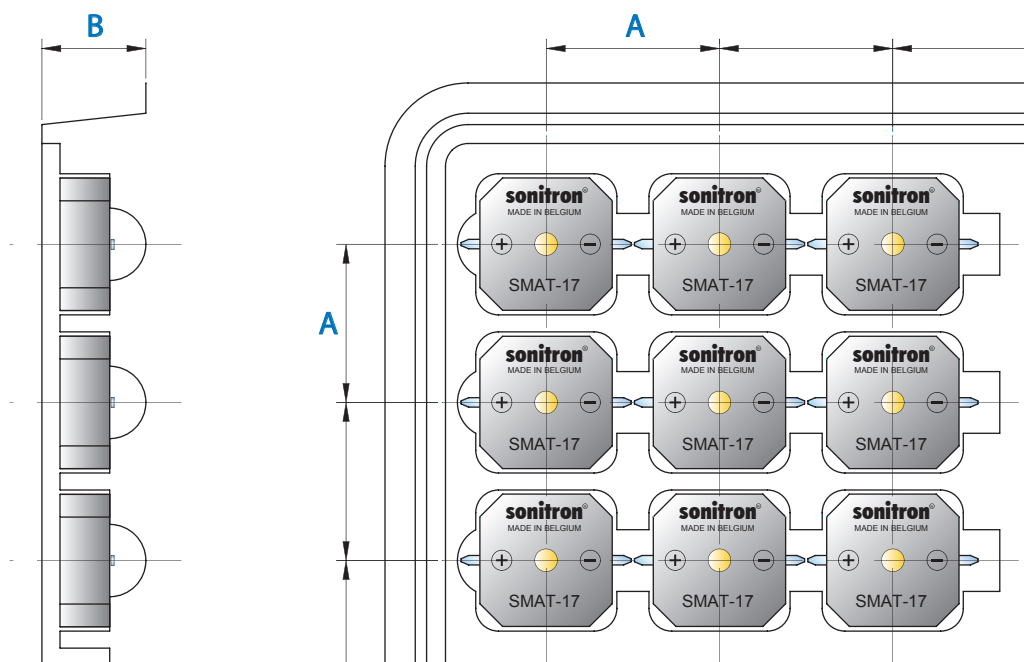
Number	SMAT-13 series	SMAT-17 series	SMAT-21 series	SMAT-24 series	SMAT-30 series
per board	250	150	100	100	64
per box	(8x250) 2000	(6x150) 900	(5x100) 500	(5x100) 500	(6x64) 384

All SMD models are packed in trays (245 L x 245 W) and sold in boxes with dimensions 250 L x 250 W x 125 H.

Number	SMAT-13 S	SMAT-17 S	SMAT-21 S	SMAT-24 S	SMAT-30 S
per board	100	81	49	42	25
per box	(9x100) 900	(8x81) 648	(7x49) 343	(5x42) 210	(6x25) 150

Dimensions of the tray and position of the SMD components:

Model	A	B
SMAT-13 series	22 mm	16 mm
SMAT-17 series	24 mm	18 mm
SMAT-21 series	30 mm	16.7 mm
SMAT-24 series	35 mm	22.6 mm
SMAT-30 series	36 mm	19 mm



Information furnished by Sonitron N.V. is believed to be accurate and reliable. Specifications are subject to change without prior notice. No patent rights or licenses described herein are implied or granted to any third party. The use of Sonitron products as critical components in life support systems, is not authorised without the explicit written approval of Sonitron N.V.

© The content, elements and structure of these pages and of this datasheet are protected by copyright laws. Any reproduction, publication, modification, distribution or exploitation of this information, whether in whole or in part, without an express written permission is prohibited.

Kasteelstraat 93, 9100 Sint-Niklaas • BELGIUM • Tel.: +32 3 780 76 30 • Fax: +32 3 777 58 96 • E-mail: sales@sonitron.be • Internet: <http://www.sonitron.be>