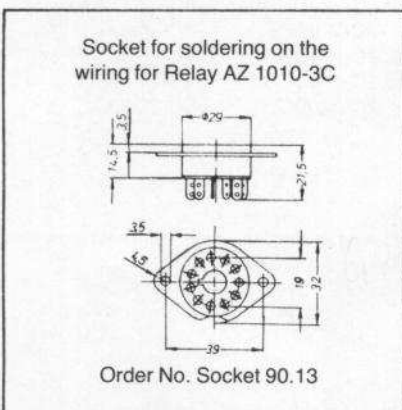
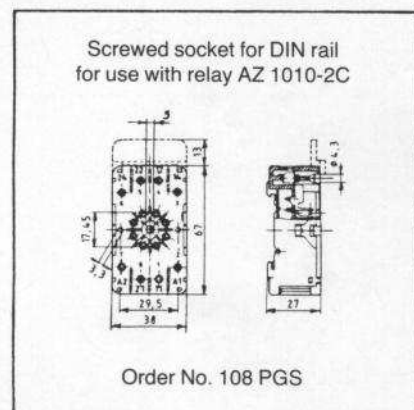
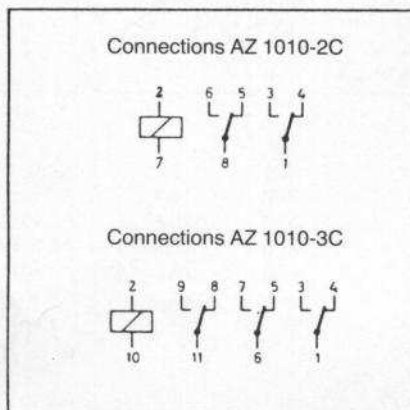
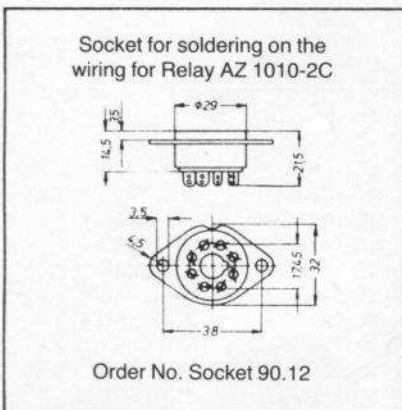
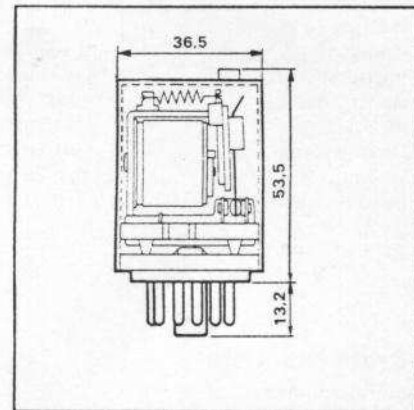
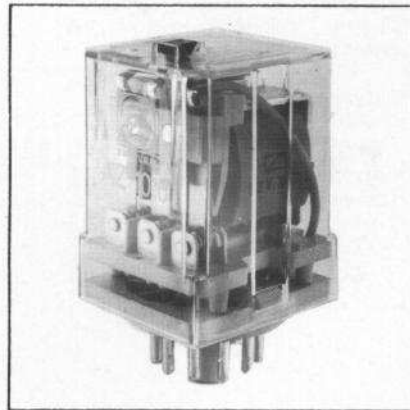
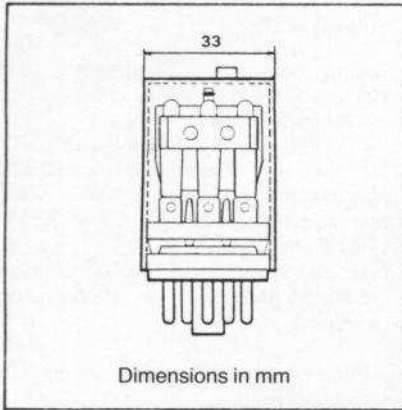


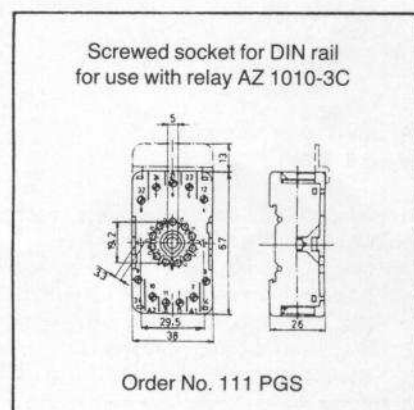
ZETTLER

Relay AZ 1010

Industrial Relay



Accessories:
Blank label for socket 111 PGS and 108 PGS
Sockets for printed circuits
Sockets with connections for 2 flat pin connectors each 2.8 x 0.8 mm, DIN 46 247
Socket for solderless connection to DIN 41 611, Wire wrap pin dimensions 0.8 x 1.6 mm (Termi-Point)
Retaining clip for socket with screwed connections



- Industrial Relay for direct and alternating current
- Test button for manual operation
- Mechanical switching state indicator
- 2 or 3 change-over
- Optional mounting position
- Approvals: VDE 0435/9.72, with production monitoring VDE Reg.-No. 2077, UL File E 120 490, CSA-File LR 28197 M SEV 88.5 51192.02

Technical Data, Order Numbers

General		Coil Side		Contact Side	
Resistance to vibration	10 g at 100 Hz	Operating voltage	see table	Contact material	silver-nickel ¹⁾
Impact strength	15 g/11 ms	Drop-out voltage	> 10 % of nominal coil voltage	Contact force	90/10 approx. 18 cN
Switching rate	1800/hr	Rated power		Contact distance	approx. 0.45 mm
Pick-up time	13-15 ms	Alternating current	2.2 VA	Insulation structure	to VDE 0110 group C 250 V AC/300 V DC
Drop-out time	6-10 ms	Direct current	1.3 W	Max. switching voltage	250 V AC
Weight	approx. 75 g	Perm. final temperature	+ 110° C	Max. switching current	10 A
Insulation resistance	10 ³ MΩ	Test voltage	2000 V _{rms}	Max. switching power at resistive load	2.5 kVA
				Mech. life time	25 x 10 ⁶ operations
				Electrical life time at full load	10 ⁵ operations

Order Numbers

Standard range

Nominal voltage	Resistance at + 20 °C Ω ± 10 %	Pick-up voltage at 20 °C VDC	Operating voltage at 40 °C VDC		Order Numbers	2 change-over 2 x 21)	3 change-over (3 x 21)
			from	to			
V AC							
6	4,6	4,1	5,1	7,2	AZ 1010	-2C- 6AC	-3C- 6AC
12	19	8,3	10,2	14,4	AZ 1010	-2C- 12AC	-3C- 12AC
24	75	16,6	20,4	28,8	AZ 1010	-2C- 24AC ★)	-3C- 24AC ★)
48	320	33,1	40,8	52,6	AZ 1010	-2C- 48AC	-3C- 48AC
60	500	41,4	51,0	72,0	AZ 1010	-2C- 60AC	-3C- 60AC
110	1800	75,9	93,5	132	AZ 1010	-2C-110AC ★)	-3C-110AC ★)
220	7250	152	187	264	AZ 1010	-2C-220AC ★)	-3C-220AC ★)
V DC							
6	28	4,1	5,1	7,2	AZ 1010	-2C- 6DC	-3C- 6DC
12	110	8,3	10,2	14,4	AZ 1010	-2C- 12DC ★)	-3C- 12DC ★)
24	445	16,6	20,4	28,8	AZ 1010	-2C- 24DC ★)	-3C- 24DC ★)
48	1770	33,1	40,8	52,6	AZ 1010	-2C- 48DC	-3C- 48DC
60	2800	41,4	51	72	AZ 1010	-2C- 60DC ★)	-3C- 60DC ★)
110	9300	75,9	93,5	132	AZ 1010	-2C-110DC ★)	-3C-110DC ★)
220	37800	152	187	264	AZ 1010	-2C-220DC	-3C-220DC

★) available ex warehouse
Subject unsold.

If desired, the following relays can be supplied as specials (minimum order quantity: 50 off)

- Relay without test button for manual operation, code letter A.
Ordering example: Relay AZ 1010-2C-24DC-A
- Relay with test button for manual operation and glow lamp as switching state indicator, code letter B.
Ordering example: Relay AZ 1010-3C-12DC-B

- Relay without test button for manual operation, but with glow lamp as switching state indicator, code letter C.
Ordering example: Relay AZ 1010-2C-24AC-C

¹⁾ Silver-nickel contacts with 5 μm gold clad on request (without VDE-Approval)