



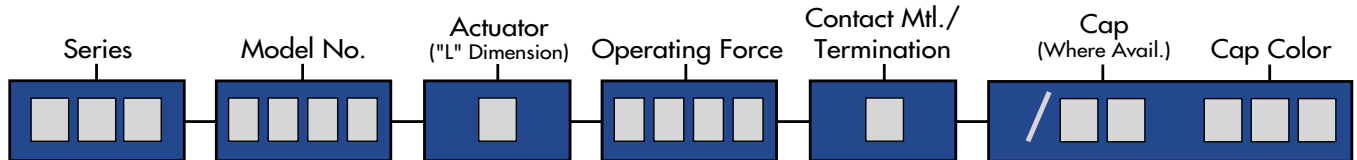
SPECIFICATIONS

Rating: 50mA@50 VDC
 Electrical Life: 100,000 cycles
 Contact Resistance: 100mΩ max., typical @ 2-4 VDC
 100mA for both silver and gold plated contacts
 Insulation Resistance: 1,000MΩ min.
 Dielectric Strength: >1,000 V rms at sea level
 Operating Force: 100 ± 50 gf, 160 ± 50 gf, 250 ± 50 gf

MATERIALS

Housing: 6/6 Nylon
 Actuator: 6/6 Nylon or Acetal
 Cover: Polyester
 Contacts: Silver-clad phosphor bronze
 Terminals: Silver plated brass

HOW TO ORDER



Series	Model No.	Actuator ("L" Dimension)	Operating Force	Contact Mtl./Termination	Cap (Where Avail.)	Cap Color
TL	1105	(None)=4.3mm A=5.0mm B=9.5mm C=8.0mm D=13.0mm E=7.3mm F=7.0mm G=9.7mm H=12.5mm K=13.5mm P=8.5mm L=17.0mm Y=16.3mm T=2.4mm <input type="checkbox"/> SP=2.8mm <input type="checkbox"/>	F100 F160 F250	Q=Silver R=Gold	/	See Cap Section
TLE= Earth Ground						
TL	1105 (Rt. Angle)	V=3.85mm W=3.15mm X=5.85mm R=6.15mm M=6.85mm S=8.35mm N=11.85mm Q=15.85mm J=2.4mm <input type="checkbox"/> JA=2.8mm <input type="checkbox"/>	F100 F160 F250	Q=Silver R=Gold	/	See Cap Section

Note: Contact E-Switch for additional Operating Force Options

= Square Snap-on Actuator Head
 "L" Dimension is 7.5mm

= Square Snap-on Actuator Head
 "L" Dimension is 6.35mm

EXAMPLE

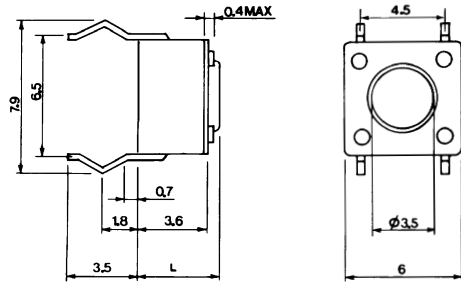
TL → 1105 → SP → F160 → Q → /1R RED

SPECIFICATIONS SUBJECT TO CHANGE WITHOUT NOTICE.

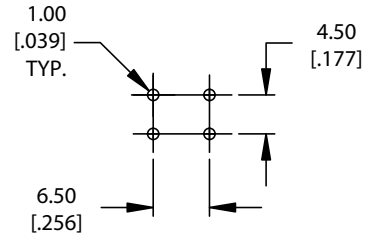
TACT SWITCHES



TL 1105



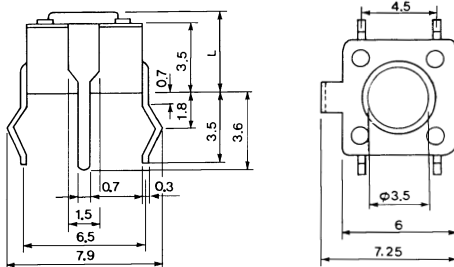
P.C. MOUNTING



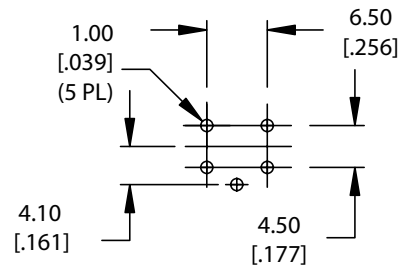
TLE 1105

TL1105 models available with earth terminal described as TLE 1105.

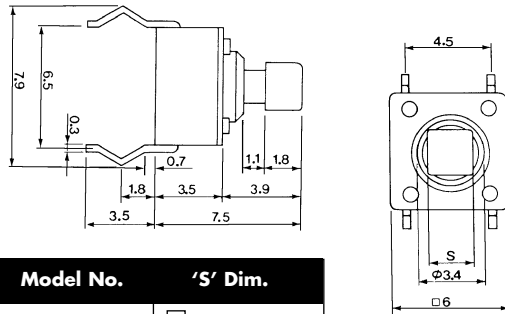
TLE (EARTH TERMINAL)



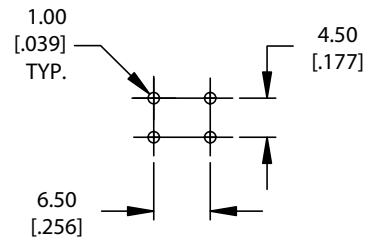
P.C. MOUNTING



TL 1105T



P.C. MOUNTING

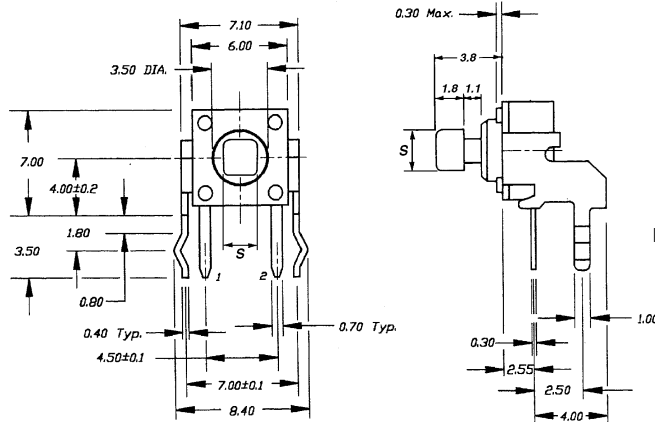


Model No.	'S' Dim.
TL1105T	□ 2.4 mm
TL1105SP	□ 2.8 mm

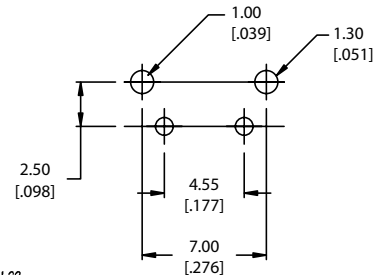


TL 1105 J

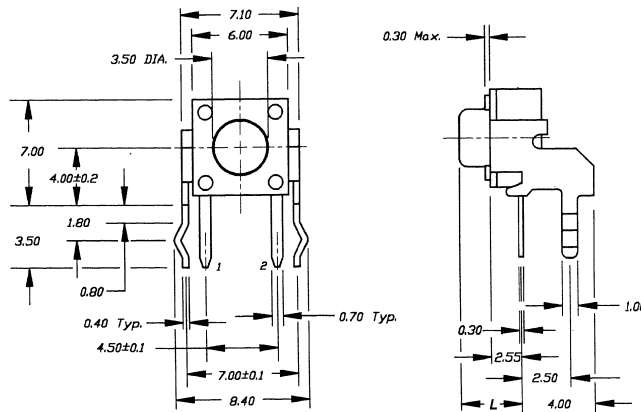
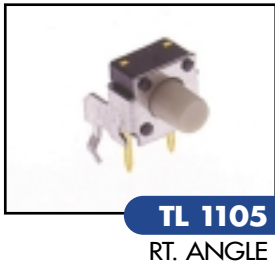
Model No.	"S" Dim.
TL1105J	□ 2.4 mm
TL1105JA	□ 2.8 mm



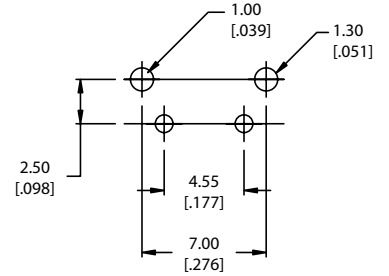
P.C. MOUNTING



SPECIFICATIONS SUBJECT TO CHANGE WITHOUT NOTICE.



P.C. MOUNTING



ACTUATOR LENGTH (L)



TL1105 "L" DIMENSION

Actuator Length (L) in mm		
(None) = 4.3	E = 7.3	L = 17.0
A = 5.0	F = 7.0	P = 8.5
B = 9.5	G = 9.5	Y = 16.3
C = 8.0	H = 12.5	
D = 13.0	K = 13.5	

SPECIFICATIONS SUBJECT TO CHANGE WITHOUT NOTICE.