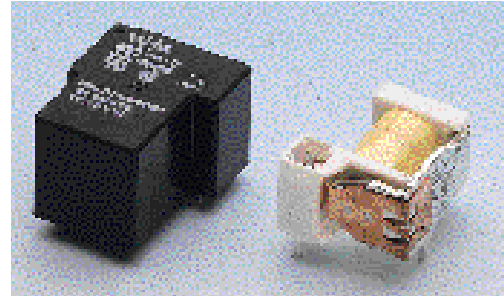
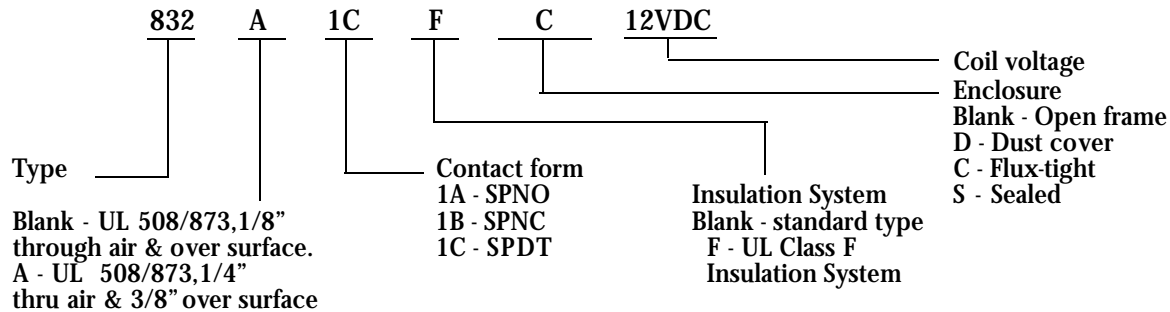


FEATURES

- Miniature, 20-30 amps
- UL, CSA & VDE
- UL Class F Insulation System optional
- UL 508/ UL873 spacing, 1/4" through air and 3/8" over surface
- Special 1.9 mm contact gap optional - SPNO
- Open-frame, dust cover, flux-tight or sealed



ORDERING INFORMATION



SAFETY APPROVAL

Certified	UL	CSA	VDE
File No.	E88991	LR90143	6615üG

SAFETY APPROVAL RATING (UL, CSA, VDE)

	1A	1B	NO	1C	NC	1A	1C
	30A 277VAC 20A 30VDC 2 HP, 250VAC 1 HP, 125VAC TV-5	15A 277VAC 15A 30VDC 1/2 HP, 250VAC 1/4 HP, 125VAC	30A 250VAC 20A 30VDC 2 HP, 250VAC 1 HP, 125VAC TV-5		30A 250VAC 10A 30VDC 1/2 HP, 250VAC 1/4 HP, 125VAC 20A 277VAC Ballast	30A 250~(AC)	20A 250~(AC)

832A - BARRIER MODEL AVAILABLE TO MEET IEC 950

COIL DATA (DC)

Rated voltage (V)	Rated current ± 10 % at 25° (mA)	Coil resistance ± 10 % at 25° (Ω)	Max. continuous voltage 25°C	Pick up voltage (Max) 25°C	Drop out voltage (Min) 25°C	Power consumption at rated voltage
5	185	27	110% of rated voltage	75% of rated voltage	10% of rated voltage	approx. 0.93W
6	150	40				
9	93	97				
12	77	155				
24	36	660				
48	18	2560				
110	8	13450				

SPECIFICATION

Contact resistance	50mΩ Max.(initial value)	
Operate time	15ms Max.	
Release time	10ms Max.	
Insulation resistance	100M Ω Min.(DC 500V)	
Dielectric strength	Between open contact	1500V ms,50/60Hz 1 min.
	Between contact and coil	832: 1500Vrms 50/60Hz 1 min. 832A: 2500Vrms 50/60Hz 1 min.
		832A High dielectric strength type: 4000Vrms 50/60Hz 1 min.
Vibration resistance	Operating extremes	10~50Hz,amplitude 1.5mm
	Damage limits	>10~50Hz,amplitude 1.5mm
Shock resistance	Operating extremes	>10G
	Damage limits	>20G
Life expectancy	Mechanical	>10,000,000 operations (frequency 18,000 operations/hr)
	Electrical	>100,000 operations (frequency 1,200 operations/hr)
Operating temperature	-55° ~ 85° C (no freezing)	
Weight	Approx.22g (open type),27g (with cover)	

832A Series Special Specification: SPNO (1.9mm Contact Gap)
Contact Song Chuan U.S.A. for Unique Specifications

IEC 255, VDE0435 SAFETY APPROVAL

Certified	TUV	
File No.	R9754124	

SAFETY APPROVAL RATING

	TUV	
	20A 277V~(AC)	

832/832A OUTLINE DIMENSIONS

